

**FH380 Issue 5  
Metal Halide – 1200 w  
Manual Control**



**APPLICATION**

The FRANCIS FH range of searchlights incorporate the design features required to successfully operate searchlights in the most demanding product operating environments on land and sea. These units are particularly suitable for use on patrol Craft, custom vessels and security installations.

**DESPATCH NUMBERS**

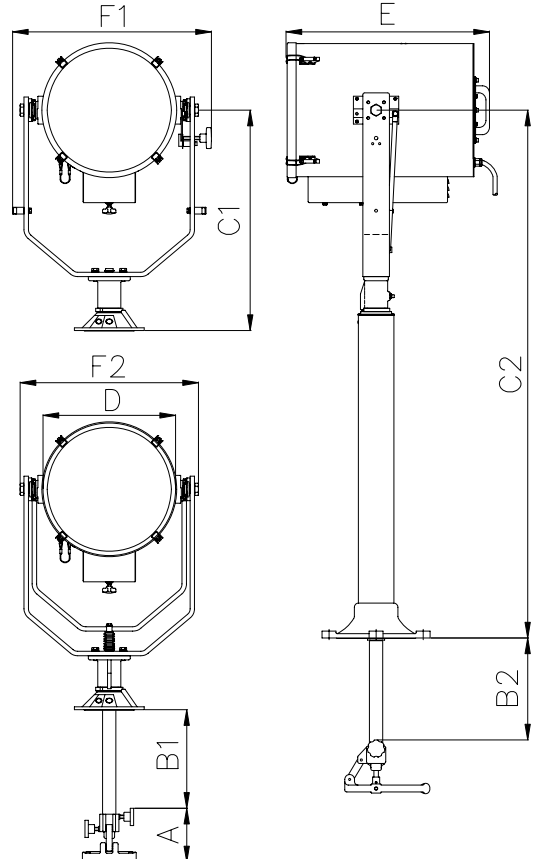
| Type             | Supply | L/holder | Despatch Number |
|------------------|--------|----------|-----------------|
| FH380 Deck       | 240v   | G38      | A2872           |
| FH380 Cabin      | 240v   | G38      | A2873           |
| FH380 Deck Ped.  | 240v   | G38      | A2874           |
| FH380 Cabin Ped. | 240v   | G38      | A2875           |

**SPECIFICATION**

- All brass construction.
- Stove enamel painted.
- Parabolic glass reflector.
- Instant lamp re-strike. No cooling down time required.
- External lamp focus adjustment (2° spot and 18° flood)
- Remote focus mechanism available upon request
- Toughened front glass and Captive bezel / glass
- Light shield to prevent unwanted glare & stray light
- Searchlight protected to IP 56
- Control gear protected to IP66.
- Special "B" & "C" dimensions available on request.
- Full 360° rotation.
- Vertical movement +37° to - 37° Deck/Deck Ped
- Vertical movement +30° to - 40° Cabin/Cabin Ped
- Luminous flux 110,000.
- Colour temperature 6,000 K.

**Performance Data** \* Inclusive angle

| Volt's | Lamp life | Range (m) | PBCP x1000 | *Div | Watts | Lamp Cap | Despatch Number |
|--------|-----------|-----------|------------|------|-------|----------|-----------------|
| 240v   | 1000 hrs  | 5805      | 33,700     | 2    | 1200  | G38      | D15746          |



All dimensions in Millimetres

**Weights:**

|                                |         |                |         |
|--------------------------------|---------|----------------|---------|
| Deck                           | 32.4 Kg | Deck Pedestal  | 36.4 Kg |
| Cabin                          | 34.9 Kg | Cabin Pedestal | 38.4 Kg |
| Control Gear (500 x 400 x 210) |         |                | 22.2 Kg |

Deck & Cabin. 3 holes Ø11.0 on a 174 PCD  
 Deck Ped. & Cabin Ped 4 holes Ø12.5 on a 270 PCD  
 Cabin & Cabin Ped. Central hole Ø53

**Dimensions**

| A   | B1  | B2  | C1  | C2   | D   | E   | F1  | F2  |
|-----|-----|-----|-----|------|-----|-----|-----|-----|
| 154 | 283 | 291 | 633 | 1513 | 380 | 584 | 571 | 512 |

**Francis Searchlights Limited**  
 Union Road, Bolton, BL2 2HJ, UK  
 Tel 44 (0) 1204 558960 Fax 44 (0) 1204 558979  
 Email sales@francis.co.uk Web site www.francis.co.uk

For more information contact: