



**FSP380 Issue 3
CSI light source
Signalling – 380mm**

APPLICATION

The FRANCIS FSP380 Signalling Searchlight incorporate the features required to successfully operate searchlights in the most demanding product operating environments on land and sea.

The 380mm (15") pedestal or bridgewing mounted light is used on medium and large craft for ship to ship and ship to shore signalling using the morse code or similar signalling code.

The light is all brass, anti-magnetic construction and is fully weatherproof.

The light shutter can be locked to allow its use as a searchlight.

SPECIFICATION

- 380mm Signalling Projector.
- Weatherproof (IP56).
- Signalling range; 12 miles.
- Signalling Speed; 12 words per minute.
- Lamp Type; Quartz Iodide (CSI) 400 watt.
- Lamp Cap; G22 (Medium Bi-post).
- Lamp Life; Normal 500 hours.
- Divergence; 4 deg
- Elevation; 60 deg
- Depression 45 deg

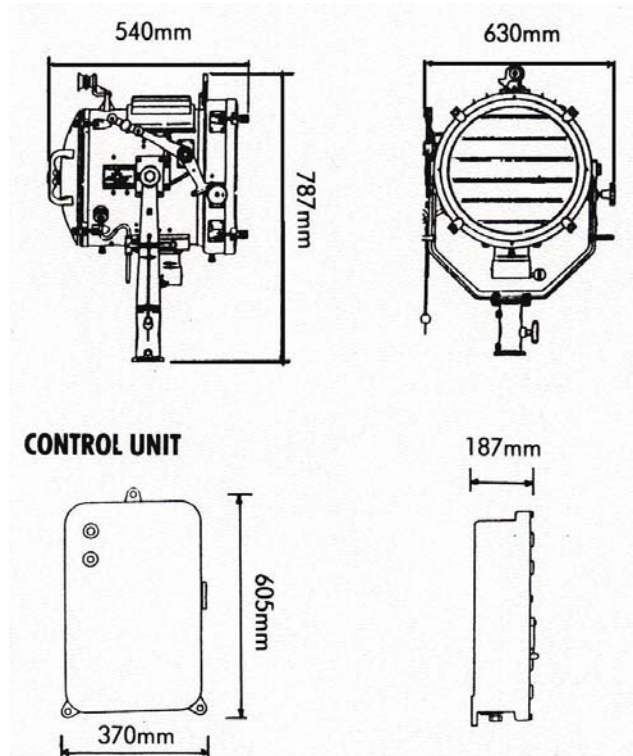
Control Unit

- Aluminium casing
- Weatherproof(IP56)
- Input; 440 volt / 60hz
1Ph. 5/8 Amp.

ACCESSORIES

	NSN	Part No.
Pedestal	0583/6230-99-529-1168	C06622-01
Lamps 400w CSI	6240-99-766-3716	D8428
Waterproof cover	5895-99-780-0859	C05433-00

Francis Searchlights Limited
 Union Road, Bolton, BL2 2HJ, UK
 Tel 44 (0) 1204 558960 Fax 44 (0) 1204 558979
 Email sales@francis.co.uk Web site www.francis.co.uk



All dimensions in Millimeters

LIGHT

Products	Mtg		Despatch No.
FSP380	D	FRANCIS NSN	A4197 5850-99-523-9810

WEIGHT: 56.5 KG

CONTROL UNIT

Products	Mtg		Despatch No.
FSP380	D	FRANCIS NSN	A4195 0558/6230-99-527-8105

WEIGHT: 45.4 KG

For more information contact:

