



**FX560 3 kw Issue 1
Xenon
Manual Control.**

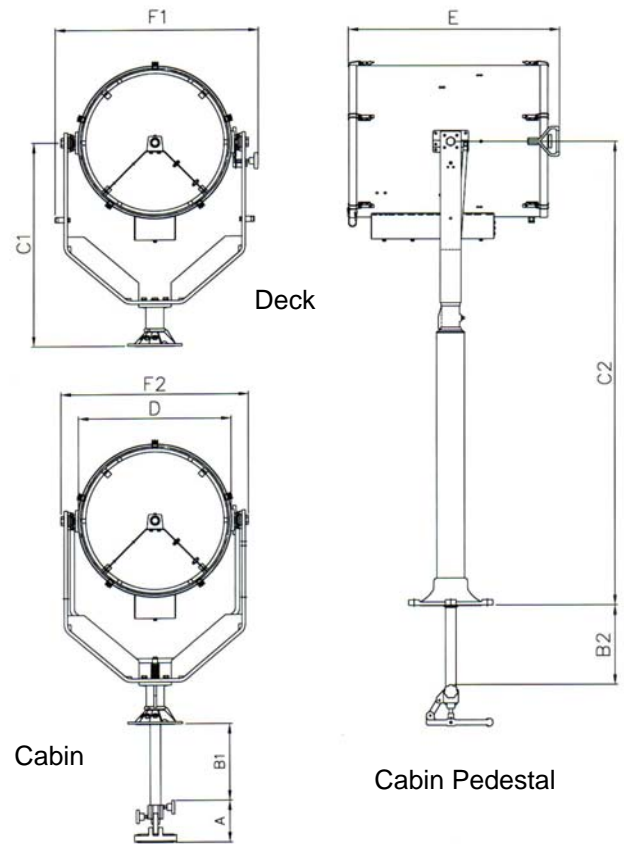
APPLICATION

The FRANCIS FX Premium range of Xenon searchlights have been designed specifically for the purpose of long range identification either on land or sea. In particular the FX560mm, fitted with a 3000w Xenon light source, has the power to illuminate a target from a distance of over 9 Km thus reducing the risk to both crew and vessel during potential dangerous operations. Incorporating Manual zoom focus control from within the wheelhouse the beam can be widened to illuminate vast expanses of coastline and open seas.

Suitable applications: -
Coastguard and Coastal Defence – Search & Rescue – Ship identification and tracking – Harbour patrol.
Border security – Beach craft landing illumination- Security – Illegal smuggling and immigration – Offshore installations.

SPECIFICATION:

- Immediate full lamp brilliance from switch on.
- Instant re-strike. No “cooling” down time required
- Internal cooling fans fitted
- Toughened front glass.
- Parabolic glass reflector.
- Economical 3000 hour lamp life.
- Constructed from marine grade materials & fixings.
- Stove enamel paint finish.
- Full 450° horizontal rotation.
- Vertical movement +40° to -20°.
- Operational temperature -50°C.
- Adjustable lamp focus, 1.5° spot to 10° flood.
- Electric (zoom) focus fitted as an option.
- Special “B” & “C” dimensions available on request.
- Well proven and reliable power supply unit suitable for 50 or 60 Hz 3 ph power supplies.
- Sealing - IP56 Searchlight, IP20 PSU. Weight 108kg
- Searchlight approx. 52kgs



Base fixing details

3 holes $\varnothing 11.0$ on a 174.0 PCD. Central hole $\varnothing 52.0$

Searchlight Dimensions

A	B	B2	C1	C2	D	E	F1	F2
154	283	291	749	1710	560	778	746	688

All dimensions in millimetres.

Type	Watts	Range @ 1Lux	P.B.C.P.
FX560	3000w	13,251 metres	175,000,000

Francis Searchlights Limited
 Union Road, Bolton, BL2 2HJ, UK
 Tel 44 (0) 1204 558960 Fax 44 (0) 1204 558979
 Email sales@francis.co.uk Web site www.francis.co.uk

For more information contact: