



**L300RC Explorer**  
**Issue 2 Halogen**  
**Remote Control**

**APPLICATION**

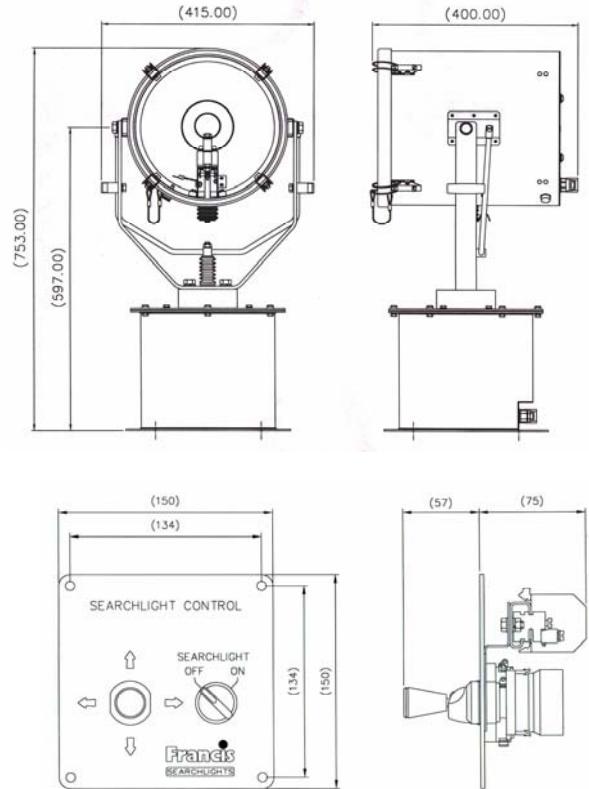
**The FRANCIS EXPLORER Range** of Remote Control searchlights has been designed with the precise aim of bringing to the market, the ultimate searchlight able to guarantee high performance, strength and affordability. The L300RC Explorer has been carefully developed to withstand the extraordinary conditions while in use in the harshest of environment, such as Coast Guard patrol. The heavy duty gearbox is strong, powerful and able to operate in the rough seas and high strength winds as found in coastal areas such as Canada and Scandinavia. This range now also has the added benefit of a heater fitted to The gearbox as standard, allowing an operation temperature of up to -50 °c.

**PART NUMBERS**

Type	Supply	Part Number
L300 RC24v	A2527	
L300 RC 115/240v	A2528	

**SPECIFICATION**

- Constructed from stainless steel.
- Parabolic formed aluminium reflector.
- Stove enameled paint finish.
- Toughened front glass.
- Spill rings to prevent unwanted glare & stray light.
- Tungsten Halogen light source.
- Searchlight and gearbox protection to IP66.
- Remote pan rotation 365°. Remote elevation control ±25°.
- Rotation speed 20°/sec. Elevation speed 5°/sec.
- Joystick control panel supplied.
- Operation temperature range -50°C.
- Heater standard in gearbox and optional in barrel.
- Optional remote focus available.



All Dimensions in Millimeters

**Base fixings:**

4 holes Ø12.5 on a 290 PCD

**Weight - 25.2 Kgs**

**Performance Data** \* Inclusive angle

Volt's	Lamp life	Range (m)	PBCP x1000	*Div	Watts	Lamp Cap	Lamp Part Number
24v	300	1055	1113	2	150	GX6.35	D14795
24v	2000	1238	1532	3	250	GX6.35	D4695
24v	300	1490	2220	3	250	GX6.35	D9851
230v	750	905	820	5	650	GX9.5	D1813
115v	750	1000	1000	5	1000	GX9.5	D1809
230v	750	970	940	5	1000	GX9.5	D6715

**Francis Searchlights Limited**  
 Union Road, Bolton, BL2 2HJ, UK  
 Tel 44 (0) 1204 558960 Fax 44 (0) 1204 558979  
 Email sales@francis.co.uk Web site www.francis.co.uk

For more information contact: