



LH300 Issue 3
HSD 575w
Architectural

APPLICATION

Designed to compliment the already highly successful LH230 150w, the LH300 575w will undoubtedly prove invaluable on projects where a greater range and light output is required. Again produced in high quality Stainless Steel. Whether to be used as an uplight or downlight, this product has many uses in the illumination of buildings, statues, spires and garden features. Available for use with 575w lamps, it can also be used in conjunction with a reeded glass in order to collimate the light, thus providing a uniform floodlit effect. This new development provides a substantial increase in performance and with lamp life being an all important issue, this unit provides 3,000 hours. All round a high performer, being more environmentally friendly, offering exceptional build quality, and a reduction in maintenance. Comes complete with removable spill rings.

PART NUMBERS

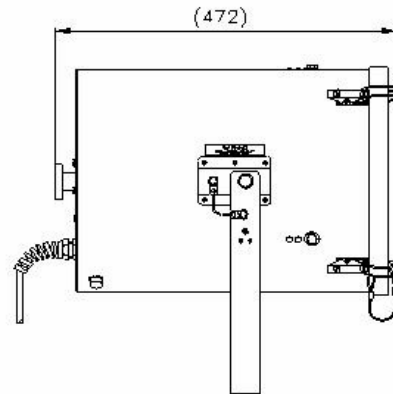
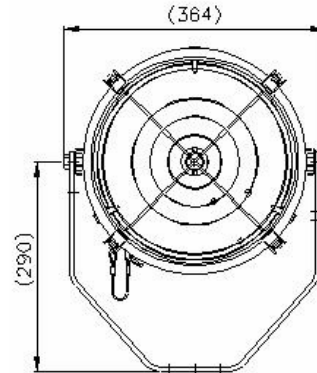
Type	Supply	Part Number
LH300 Searchlight	240v	A2859
Control Gear Assy	240v	C21294-01

SPECIFICATION

- Constructed from stainless steel.
- Parabolic formed deep dish aluminium reflector.
- Powder coated finish, colour options available.
- External lamp focus adjustment.
- Toughened front glass.
- Spill rings to prevent unwanted glare & stray light.
- Axially mounted Metal Halide light source.
- Sealing to IP66.
- Supplied with stainless steel security bracket and safety cable.

Performance Data

Lamp Source	Lamp Life hrs	PBCP	Div	Lamp Cap	Lamp Part No.
575w	3,000	11,641,957	7°	GX9.5	D23720



	Weight
LH300	9.9 Kg
Control Gear Assy	8.4 Kg

Fixing Details

2 holes Ø12.50mm at 70mm centres

Useful Information (based on divergence at 7°)

At 25m, provides beam diameter of 3.06m @ 18,627 lux
 At 50m, provides beam diameter of 6.12m @ 4,657 lux
 At 100m, provides beam diameter of 12.24m @ 1,164 lux
 Range to 1 lux is 3412 m

Francis Searchlights Limited
 Union Road, Bolton, BL2 2HJ, UK
 Tel 44 (0) 1204 558960 Fax 44 (0) 1204 558979
 Email sales@francis.co.uk Web site www.francis.co.uk

For more information contact: