



LM108 Issue 1  
Spotlight 150mm (6")  
55w – 100w Halogen

## APPLICATION

**The FRANCIS LM108 150mm (6") Hand Held Spotlight is ideal for smaller craft, including work boats, leisure craft and emergency vehicles.**

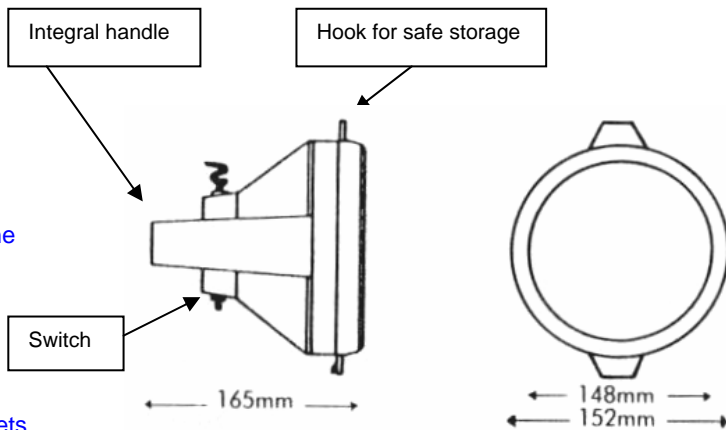
The product is manufactured in high quality neoprene rubber for a high degree of protection from the elements including being waterproof. The added benefit of the rubber housing is the lights ability to resist damage while in use.

Lightweight construction allowing portable use by means of connection to strategically placed sockets located on the vessel or vehicle.

The toggle switch is also integral and again is of a waterproof design.

The handle is ergonomically designed at the rear of the unit allowing a comfortable and stable handheld usage.

The unit comes complete with two pin plug, panel mounted two pin socket and a water proof plastic socket cover for when not in use.



All Dimensions in Millimeters

## SPECIFICATION

- Manufactured in high quality Neoprene rubber. Powerful 1,000,000 candlepower with 100w lamp 12v or 24v DC operation
- On/Off waterproof toggle switch Plug
- Strong but light weight construction, only 1.1 KGS
- Complete with 1 metre coiled cable.
- Sealed beam for additional weatherproofing.

## Dispatch Numbers

Product	Type	Volts	Part No
LM108	Hand held	12v	A2187
LM108	Handheld	24v	A6026
Lamp	100w	12v	D15717
Lamp	100w	24v	D15718
Optional Accessories			
	3 pin	12/24v	C02682-00
Socket	3 pin	12/24v	C02681-00
Battery in case		12v	C20175-01
Battery in case		24v	C20177-01
Battery charger		110v-12v	C20169-01
Battery charger		110v-24v	C20170-01
Battery charger		240v-12v	C20171-01
Battery charger		240v-24v	C20172-01

For more information contact:

**Francis Searchlights Limited**  
 Union Road, Bolton, BL2 2HJ, UK  
 Tel 44 (0) 1204 558960 Fax 44 (0) 1204 558979  
 Email sales@francis.co.uk Web site www.francis.co.uk