



APPLICATION

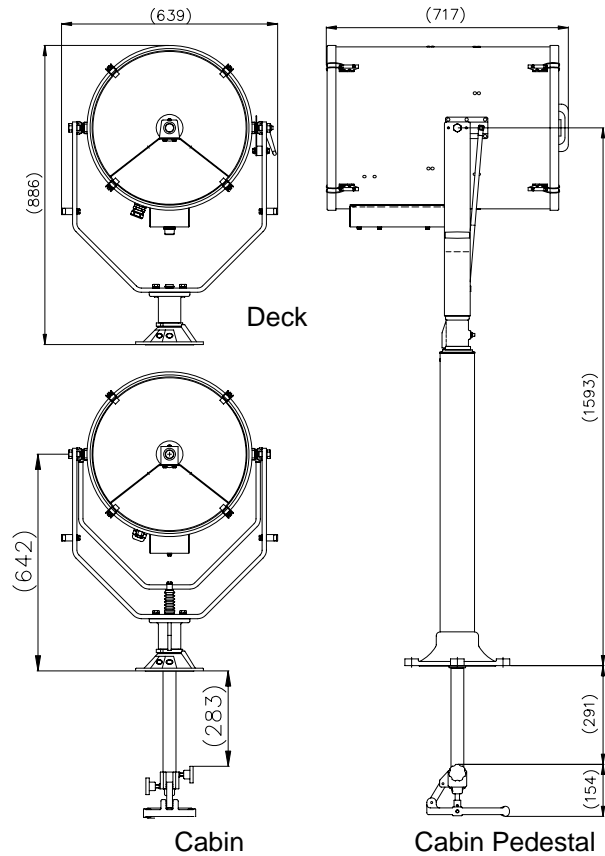
The new FRANCIS LX range of high power Xenon Searchlights incorporate the design features required to successfully operate searchlights in the most demanding product operating environments on land and sea.

Francis Searchlights have redesigned and improved The LX480 still further and hence the product is most Suitable for both Marine and Security applications.

With the "colour temperature" of the Xenon lamp being equal to that of "sunlight" the searchlight is ideal for spotting dangers and threats at great distances.

SPECIFICATION:

- Immediate full lamp brilliance from switch on.
- Instant re-strike. No "cooling" down time required.
- Toughened front glass.
- Parabolic glass reflector
- Economical 3000 hour lamp life.
- Constructed from high quality stainless steel.
- Stove enamel paint finish.
- Pan rotation a full 450°. D and DP +/- 45 °
- Elevation control +35° to -40° Cabin/Cabin Ped
- Operational temperature -50°C.
- Adjustable lamp focus, 1.5° spot to 10° flood.
- Remote focus fitted as an option.
- Well proven and reliable power supply unit suitable for 50/60 Hz 1ph power supplies.
- High weather resistance to IP66 Searchlight, IP20 PSU
- **Searchlight weight** 50Kgs.
- **Power supply weight** 56 Kgs .
- **Range** 8,233 metres.
- **Peak Beam Candle Power** 67 million.
- Cabin Control – 52KG
- Cabin Pedestal version – 69.5KG
- Lamp part number D21229



All Dimension in Millimeters

BASE FIXING DETAILS:

Cabin and Deck 3 holes Ø11.0 on a 174.0 PCD
Deck Pedestal and Cabin Pedestal 4 holes Ø12.5 on a 270.0 PCD

PSU Dimensions: 600 x 273 245mm.

Fixings 450 x 180mm

Part Numbers

Type	Supply	Watts	Part No
LX480	115v	1000	A2276
LX480	240v	1000	A2275
LX480DP	115v	1000	A2278
LX480DP	240v	1000	A2277
LX480C	240v	1000	A2279
LX480C	115v	1000	A2281
LX480CP	240v	1000	A2282
LX480CP	115v	1000	A2283

For more information contact: