



LX480 1000w Iss 3
Xenon Manual
Prison Grade



APPLICATION

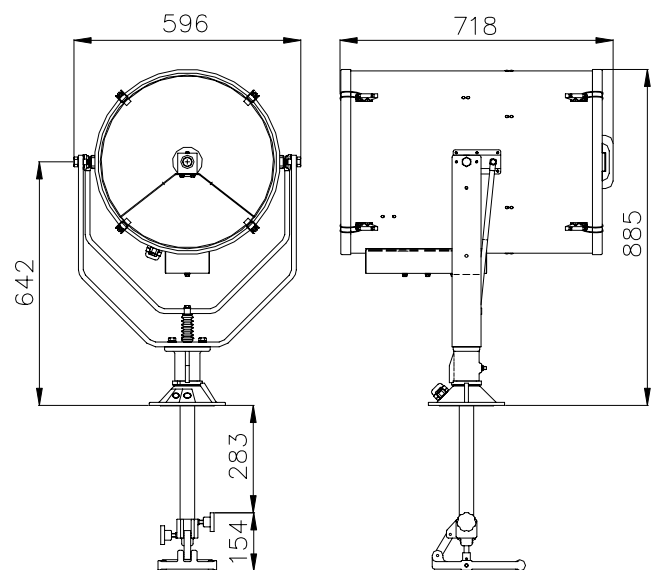
The **FRANCIS LX PRISON & SECURITY** range of high Power Xenon Searchlights incorporate additional design features required to successfully operate searchlights in the most demanding product operating environments.

Francis Searchlights have redesigned and improved the LX480 still further by the use of the highest grades of materials to offer strength, reliability and resistance to attack. In addition, fitted to this product is a super high quality Precision Electroformed Nickel Reflector which is virtually indestructible and will not shatter when hit by bullets.

With additional downward tilting ability of minus 65 degrees below base to assist in the illumination around the guard tower.

This product is the most suitable product available for Prison and Security applications. Many projects have utilized the Francis Prison range, including Camp X Ray, Camp Buka in Iraq, several other locations in the Middle East and Europe. Naturally, Francis products are approved by many authorities, including the US and UK Army.

With the "colour temperature" of the Xenon lamp being equal to that of "sunlight" the searchlight is ideal for spotting dangers and threats at great distances.



Part Numbers

Type	Supply	Weight	Despatch No
LX480 Deck	115v	50KG	
LX480 Deck	230v	50KG	
LX480 Cabin	115v	52Kg	A6025
Lx480 Cabin	230v	52Kg	A6024

SPECIFICATION

- Nickel reflector, super pure, shatter proof.
- Instant re-strike. No "cooling" down time required.
- Toughened front glass.
- Immediate full lamp brilliance from switch on.
- Economical 3000 hour lamp life.
- Strong & reliable construction using the best materials.
- Stove enamel paint finish.
- Full 450° rotation.
- Special downward tilt movement :
 - + 20° to -40° Cabin/Cabin Ped.
- Operational temperature -50°C.
- Adjustable lamp focus, 1.5° spot to 10° flood.
- Remote focus available on request.
- Special "B" & "C" dimensions available on request.
- Well proven and reliable power supply unit suitable
 - for 50/60 Hz 1ph power supplies.
- Sealing – IP56 Searchlight, IP20 PSU.

All dimensions in Millimeters

Base fixing details

Deck & Cabin. 3 holes Ø11.0 on a 174.0 PCD
Deck Ped. & Cabin Ped. 4 holes Ø12.5 on a 270.0 PCD
Cabin & Cabin Ped. Central hole Ø52.0

Power supply dimensions: 600 X 273 x 245mm
Fixing: 450 x180 mm

Type	Watts	Range@1Lux	P.B.C.P.	Div	Lamp No.
LX480	1000w	9500 metres	77,000,000	1.5	D21229

Francis Searchlights Limited
Union Road, Bolton, BL2 2HJ, UK
Tel 44 (0) 1204 558960 Fax 44 (0) 1204 558979
Email sales@francis.co.uk Web site www.francis.co.uk

For more information contact:



Camp X Ray Guantanamo Bay



Remote Control Options



Manual & Cabin Control versions