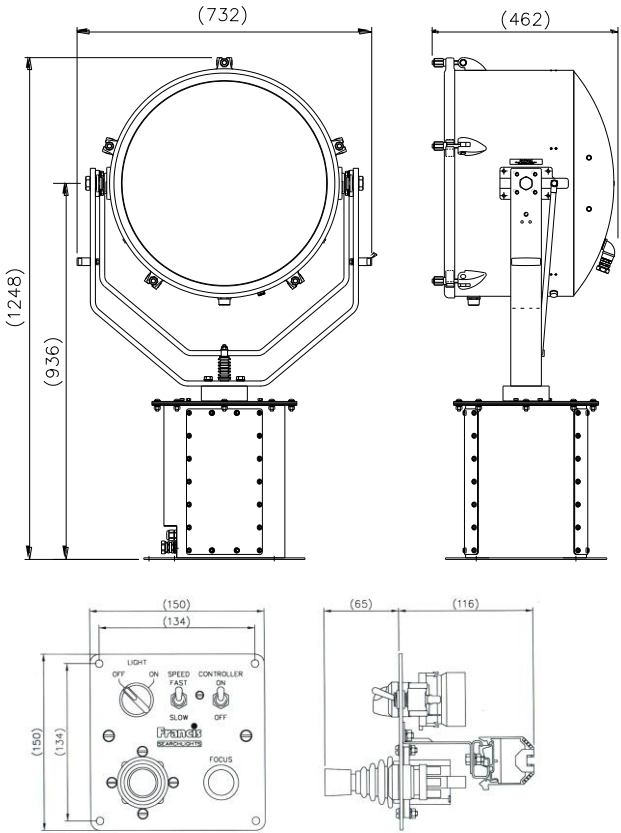


**FR560RC Issue 5
Tungsten Halogen
Variable Remote Control**



APPLICATION

The new FRANCIS FR PREMIUM range of variable speed Remote Controlled Searchlights incorporate the design features required to successfully operate searchlights in the most demanding product operating environments on land and sea. Francis Searchlights have redesigned and improved the remote controlled halogen Searchlight still further by adding full variable speed as a standard option at no extra cost. The FR560RC has excellent illumination characteristics, a powerful, focusable beam and is suitable for use on larger commercial vessels and as a bridge wing projector.

PART NUMBERS

Type	Supply	L/holder Part
FR560RC 1Kw	115/240v	GX9.5 A2474
FR560RC 2Kw	115/240v	G38 A2470

SPECIFICATION

- Lamp life 400 hours 2Kw – 750 hours 1Kw.
- Constructed from marine grade materials and fixings.
- Parabolic form, polished glass, lead backed mirror.
- Toughened front glass.
- Stove enamel paint finish.
- Sealing to IP66 Gearbox – IP56 Searchlight.
- Tungsten Halogen light source.
- Remote focus fitted as standard.
- Variable speed joystick control panel supplied
- Variable Rotation Speed 1 to 20°/sec (Pan)
- Variable Elevation Speed 1 to 10°/sec (Tilt).
- Remote elevation control ±25° - Pan rotation 385°.
- Operational temperature -20°C.
- Heaters can be installed to allow operation to -50°C.

All dimensions in Millimeters

BASE FIXING DETAILS:
4 HOLES 12.5 DIA EQUI-SPACED
ON A 350mm PCD

Weight 60 Kg

PERFORMANCE DATA

* inclusive angle

Volts	Range (m)	PBCP x1000	Div*	Watts	Lamp Cap	Lamp Part Number
115v	1550	2450	5	1000	GX9.5	D1809
115v	2030	3900	5.5	2000	G38	D1823
220v	1550	2450	5	1000	GX9.5	D6715
220v	2030	3900	5.5	2000	G38	D4604
240v	1550	2450	5	1000	GX9.5	D1814
240v	2030	3900	5.5	2000	G38	D1839

Francis Searchlights Limited
 Union Road, Bolton, BL2 2HJ, UK
 Tel 44 (0) 1204 558960 Fax 44 (0) 1204 558979
 Email sales@francis.co.uk Web site www.francis.co.uk

For more information contact: