



## APPLICATION

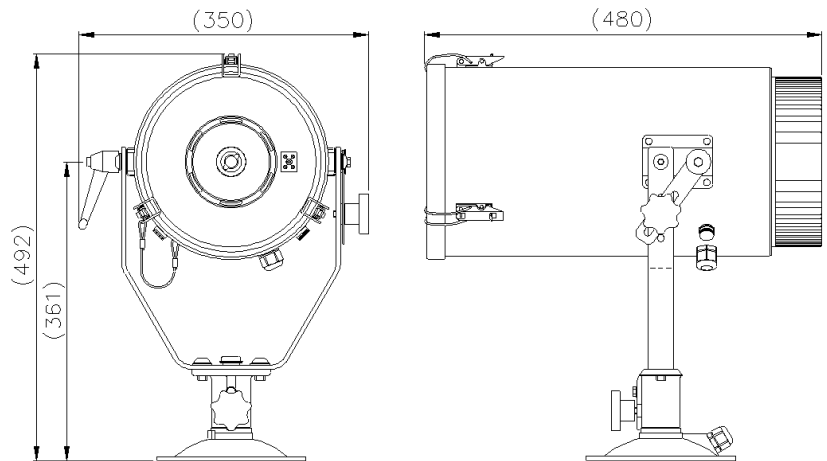
The new Francis LED searchlight range has been developed to offer an Efficiently and Environmentally Friendly alternative to traditional lamp sources. Using the highest grade of CREE LED, this range offers a high power output with low power consumption. In addition, the CREE XLamp Series offer a lamp life of 50,000 hours.

As with all Francis products, the construction is robust and of the highest quality. To dissipate the heat generated by the high power LED, the heat sinks are integrated into the barrel construction.

The 78w LED gives illumination characteristics similar to that of a 500w halogen lamp

## SPECIFICATION

- 50,000 lamp life hours.
- Toughened super clear Optiwhite front glass.
- Aluminum precision reflector.
- Constructed from marine grade materials and fixings.
- Powder coated and stove enamel paint finish.
- Pan rotation 450°.
- Deck/Deck Ped Tilt elevation control +40° to -40°.
- Cabin/Cabin Ped Tilt elevation control +30° to -25°
- Operational temp -50°.
- Colour Temp options 2700-5000k.
- High quality control gear 50/60 Hz 1ph.
- Sealing - IP66 Gearbox, IP56 Searchlight, PSU IP66.
- PSU weight 2.5kgs.
- Searchlight weight Deck 8.4kgs, Pedestal 4.6Kg, Cabin Control Assy 2Kgs, Cabin Pedestal Assy 3Kgs
- Standard colour white or matt black, with any other colour as an option.
- Fixed focus giving 11 degree divergence and a good spread of illumination.



## ALL DIMENSIONS IN MILLIMETRES

Base fixing details:

Deck & Cabin 3 holes Ø11.0 equi-spaced on a 154 PCD  
Deck Ped & Cabin Ped 4 holes Ø12.5 equi-spaced on a 190 PCD,  
Cabin & Cabin Ped Central Hole Ø75

## Part Numbers

Type	Supply	Part No
L230D LED Deck	115/230v	A6138
Cabin Control Assy		C21168-01
Pedestal deck		C20719-79
Cabin Pedestal Ass		C21169-01

VAC	Lamp life	Range @ 1 Lux	Luminous Flux	Div	Watts
115/230v	50,000 hrs	690m	6900	11°	78w