



FR380RC Explorer  
Issue 2. Halogen  
Remote Control

**APPLICATION**

The **PREMIUM FRANCIS EXPLORER** Range of Remote Control searchlights has been designed with the precise aim of bringing to the market, the ultimate searchlight able to guarantee high performance, strength and affordability.

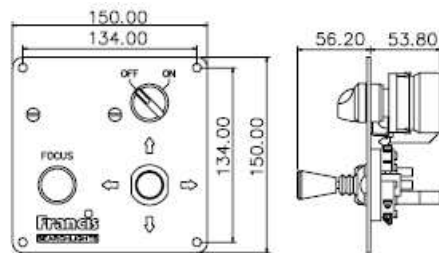
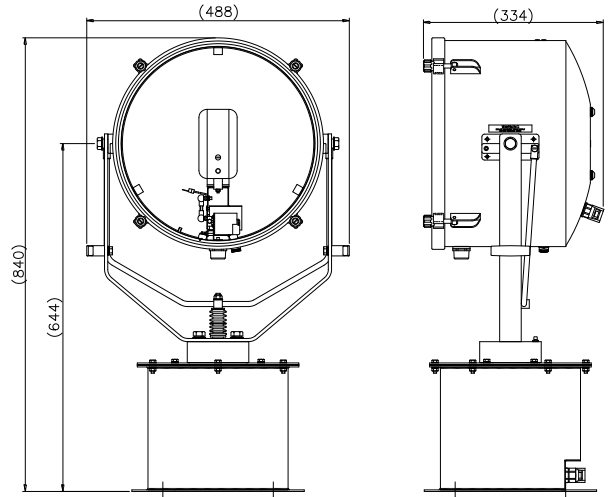
The FR380 RC Explorer has been carefully developed to withstand the extraordinary conditions while in use in the harshest of environment, such as Coast Guard patrol. The heavy duty gearbox is strong, powerful and able to operate in the rough seas and high strength winds as found in coastal areas such as Canada and Scandinavia. This unit comes with remote focus.

**PART NUMBERS**

| Type     | Supply   | Part Number |
|----------|----------|-------------|
| FR380 RC | 24v      | A2541       |
| FR380 RC | 115/240v | A2542       |

**SPECIFICATION**

- Constructed from brass and stainless steel.
- Parabolic glass reflector.
- Stove enameled paint finish.
- Remote lamp focus adjustment.
- Toughened front glass.
- Tungsten Halogen light source.
- Searchlight IP56 protection and gearbox to IP66.
- Remote pan rotation 365°.
- Remote elevation control ±30°.
- Rotation speed 20°/sec.
- Elevation speed 5°/sec.
- Joystick control panel supplied.
- Operation temperature range -50°C.
- Heater standard in gearbox and optional in barrel.



**Base fixings:**

4 holes Ø12.5 on a 290 PCD

All dimensions in mm

**Weight : FR380 RC Explorer- 31.6 Kgs**

**Performance Data** \* Inclusive angle

| Volt's | Lamp life | Range (m) | PBCP x1000 | *Div | Watts | Lamp Cap | Lamp Part Number |
|--------|-----------|-----------|------------|------|-------|----------|------------------|
| 24v    | 300 hrs   | 1311      | 1718       | 2    | 150   | GX6.35   | D14795           |
| 24v    | 2000 hrs  | 1390      | 1932       | 3    | 250   | GX6.35   | D4695            |
| 24v    | 300 hrs   | 1673      | 2800       | 3    | 250   | GX6.35   | D9851            |
| 230v   | 750 hrs   | 1114      | 1240       | 5    | 650   | GX9.5    | D1813            |
| 115v   | 750 hrs   | 1249      | 1560       | 5    | 1000  | GX9.5    | D1809            |
| 230v   | 750 hrs   | 1210      | 1465       | 5    | 1000  | GX9.5    | D6715            |

**Francis Searchlights Limited**  
 Union Road, Bolton, BL2 2HJ, UK  
 Tel 44 (0) 1204 558960 Fax 44 (0) 1204 558979  
 Email sales@francis.co.uk Web site www.francis.co.uk

For more information contact: