



**LED**  
TECHNOLOGY

**APPLICATION**

The new Francis LED searchlight range has been developed to offer an Efficiently and Environmentally Friendly alternative to traditional lamp sources.

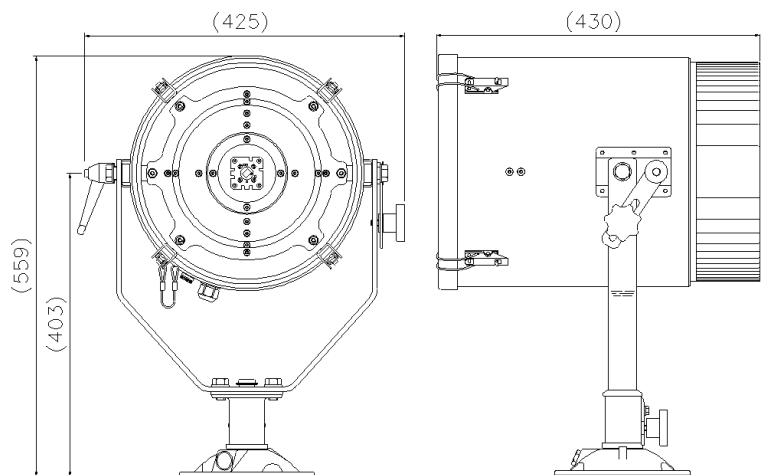
Using the highest grade of the world class Osram LED, this range offers a high power output with low power consumption. Using a series of precision made glass lenses to optimize and collimate the light output, to achieve a greater range and output. The high power LED Chip has 20,000 hour life.

As with all Francis products, the construction is robust and of the highest quality. To dissipate the heat generated by the high power LED, there has been a great focus on thermal management, and these heat sinks are integrated into the barrel construction.

The 234w LED gives illumination characteristics in excess of a 300w Xenon lamp / 3kw Halogen.

**SPECIFICATION**

- Toughened front glass.
- 20,000 lamp life hours
- Precision made glass lenses.
- Constructed from marine grade materials and fixings.
- Powder coated and stove enamel paint finish
- Pan rotation 450°.
- Deck/Deck Ped Tilt elevation control +40° to -40°.
- Cabin/Cabin Ped Tilt elevation control +30° to -25°
- Operational temp -50°.
- Up to 20,000 Lumen.
- Colour Temp options 6000k
- Sealing – IP66 Searchlight, PSU IP66.
- Searchlight weight 17kgs, PSU weight 4kgs.
- Range of 2286m is based on 4° divergence
- Fixed focus options giving 4° degree Spot(SP), 6° Mid Beam(MD) or 10° Flood(FL).



**ALL DIMENSIONS IN MILLIMETRES**

Base fixing details:  
3 holes 11.0 Ø equi-spaced on a 154mm PCD

PSU dimensions: 299 x 302 x 133mm

**Part Numbers**

Type	Supply	Watts	Part No
L300D	115/230v	234w	A6150SP, MD, FL

Cabin Control Assy	C27455-01
Pedestal Assy	C20719-39
Cabin Pedestal Control Assy	C27511-01

VAC	Lamp life	Range @ 1 Lux	Luminous Flux	Div	Watts
115/230v	20,000 hrs	2286m	20,000	4-10	234w

**For more information contact:**