



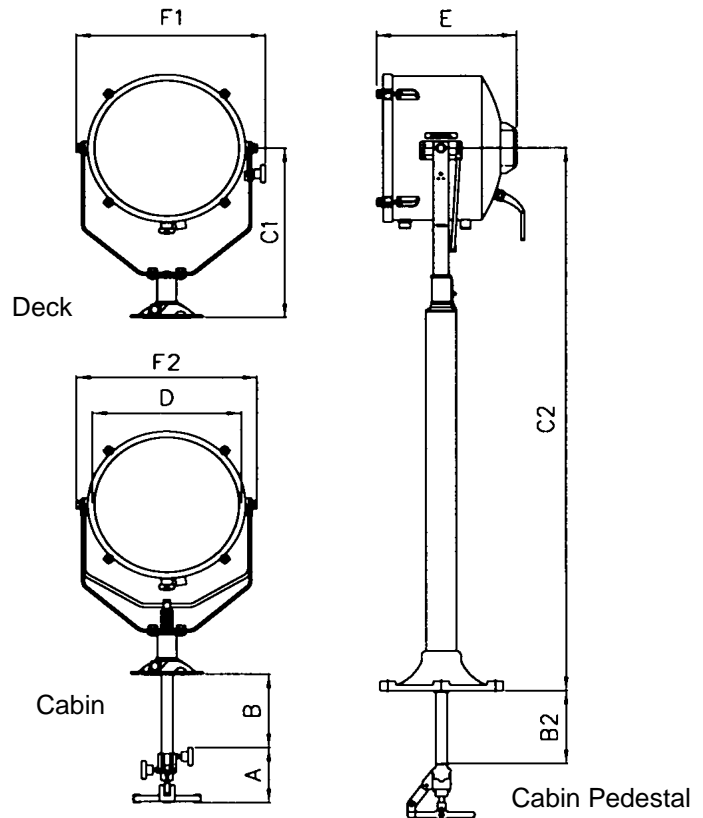
## APPLICATION

The FRANCIS FR Premium range of searchlights incorporate the design features required to successfully operate searchlights in the most demanding product operating environments on land and sea.

These units are particularly suitable for use on patrol craft, custom vessels and general marine applications.

## SPECIFICATION

- Toughened super clear Optiwhite front glass.
- Parabolic glass reflector
- Constructed from marine grade materials and fixings
- Powder coated and stove enamel paint finish
- Pan rotation 450°
- Deck/Deck Ped Tilt elevation control +40° to -40°.
- Cabin/Cabin Ped Tilt elevation control +30° to -40°
- Optional Heater fitted in barrel
- Operational temp -50°
- Tungsten halogen lamp
- Light shield to prevent unwanted glare & stray light
- External lamp focus, 2° spot to 15° flood.
- Sealing – IP66 Searchlight
- Searchlight weight Deck 18.20kgs, Deck Ped 22.10Kg, Cabin 20.50Kgs, Cabin Ped 24.40Kgs
- Special B1/2 & C2 dimensions available on request



## ALL DIMENSIONS IN MILLIMETRES

Base fixing details:

Deck & Cabin 3 holes Ø11.0 equi-spaced on a 154 PCD  
Deck Ped & Cabin Ped 4 holes Ø14.5 equi-spaced on a 270 PCD,  
Cabin & Cabin Ped Central Hole Ø40

## Part Numbers

Type	Supply	Part No
FR380D Deck	12/24v	A2820
FR380C Cabin	12/24v	A2822
FR380DP Deck Ped	12/24v	A2819
FR380CP Cabin Ped	12/24v	A2821
FR380D Deck	110/240v	A2828
FR380C Cabin	110/240v	A2830
FR380DP Deck Ped	110/240v	A2827
FR380CP Cabin Ped	110/240v	A2829

## Dimensions

A	B1	B2	C1	C2	D	E	F1	F2
150	185	180	450	1442	380	351	470	450

VAC	Lamp life	Range @ 1 Lux	PBCP X 1000	Div	Watts	Lamp No
24v	300 hrs	1311m	1718	2°	150w	D9848
24v	2000 hrs	1390m	1932	2°	250w	D14795
24v	300 hrs	1673m	2800	2°	250w	D4695
230v	750 hrs	1114m	1240	2°	650w	D9851
120v	750 hrs	1249m	1560	4.9°	1000w	D16883
230v	750 hrs	1210m	1465	4.9°	1000w	D16841

For more information contact: