



APPLICATION

The new Francis Bus range of variable speed Remote Controlled Searchlights incorporate the design features required to successfully operate searchlights in the most demanding product operating environments on land and sea.

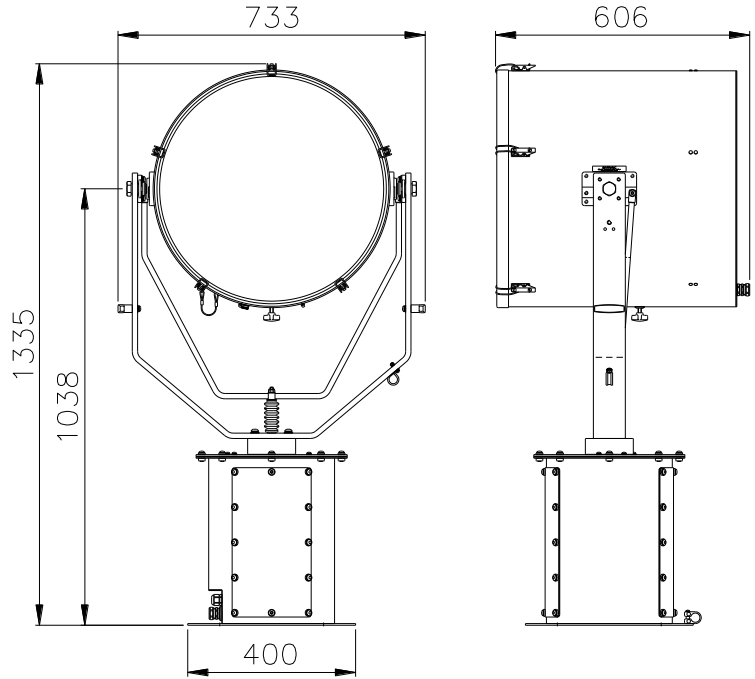
Francis Searchlights have developed and improved all remote controlled searchlights across the range still further by adding full variable speed, a new modern and sleek joystick control panel, using membrane and LED technology, offering Bus Control.

The Francis bus (FBUS) is a custom communication protocol based on RS485 two-wire bi directional communication hardware. The system provides a simple bi directional link between searchlights and control panels.

The L560 range is a cost effective and well made range of searchlights with external focus adjustment. These units are particularly suitable for use on large craft, custom vessels and general marine applications.

SPECIFICATION

- Tungsten Halogen Light source
- Toughened super clear Optiwhite front glass.
- Parabolic formed aluminum reflector
- Constructed from marine grade materials and fixings
- Powder coated and stove enamel paint finish.
- Pan rotation 385°
- Tilt elevation control +30°, -35°.
- Variable speed LED joystick, with auto home position.
- RS485 connectivity. Dimmable Control Panel.
- Variable Rotation Speed 1 to 23°/sec (Pan)
- Variable Elevation Speed 1 to 8°/sec (Tilt).
- Heater fitted in gearbox & optional in barrel
- Operational temp -50°
- Remote lamp focus available as an option.
- Sealing - IP67 Gearbox, IP66 Searchlight
- Searchlight weight 48kgs,



ALL DIMENSIONS IN MILLIMETRES

Base fixing details:

4 holes 12.5 Ø equi-spaced on a 350mm PCD

Joystick panel 120 x 120mm (106 x 106mm cutout)

Part Numbers

Type	Supply	Watts	Part No
L560RC	115/230v	2Kw – 3Kw	A7120
L560RC RF	115/230v	2Kw – 3Kw	A7121

Volts	Lamp Life	Range @ 1 Lux	PBCP X 1000	Div	Watts	Lamp Part No
115v	400 hrs	2030m	3900	4.8°	2000w	D1823
230v	400hrs	2030m	3900	4.8°	2000w	D4604
115v	400 hrs	2450m	4850	6.3°	3000w	D9843
230v	400 hrs	2450m	4850	6.3°	3000w	D22559

For more information contact: