



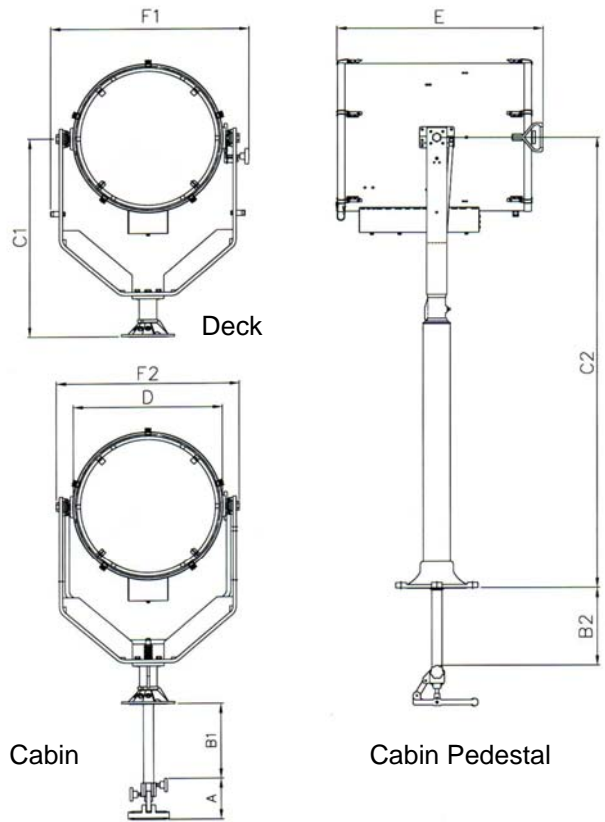
FH560 2500w Iss 2
Metal Halide
Manual Control.

APPLICATION

The FRANCIS FH range of Searchlights incorporate the design features required to successfully operate searchlights in the most demanding product operating environments on land and sea. These Metal Halide Searchlights are exceptionally powerful and offer light output and performance similar to the more expensive Xenon range. So whether at land or sea installations, the highest reliability and performance is ensured. The exceptional power achieved with the light source is ideal for spotting dangers to navigation in the Polar Regions, identifying low-lying icebergs and other potential hazards. Within a security based application, the range and illumination is exceptional due to the high power output.

SPECIFICATION

- Toughened front glass.
- Parabolic glass reflector.
- Economical 600 hour lamp life.
- Constructed from marine grade materials & fixings.
- Stove enamel paint finish.
- Full pan rotation 360°.
- Elevation control + 40 to -20 °.
- Operational temperature -50°C.
- Adjustable lamp focus, 3° spot to 10° flood.
- Remote focus fitted as an option.
- Well proven and reliable power supply unit suitable for 50/60 Hz 1ph power supplies.
- Sealing – IP66 Gearbox, IP56 Searchlight, IP32 PSU
- **Power supply weight 30 Kgs.**
- **Searchlight weight 52 Kgs.**



All dimensions in Millimeters
BASE FIXING DETAILS:
 3 HOLES 11mm DIA EQUI-SPACED
 ON A 174mm PCD. Centre hole 52mm.

PSU dimensions : 355 X 170 X 401 mm

Searchlight Dimensions:

A	B1	B2	C1	C2	D	E	F1	F2
154	283	292	684	1710	560	738	732	688

Type	Supply	Watts	Part No
FH560D	240v	2500w	A2899
FH560C	240v	2500w	A2908
FH560CP	240v	2500w	A2910
FH560DP	240v	2500w	A2909

Voltage	Lamp life	Range	PBCP	Div	Watt	Lamp	Part No.
240v	600 hrs	11,870	141 mil	3.0	2500	G38	20194

For more information contact:

Francis Searchlights Limited
 Union Road, Bolton, BL2 2HJ, UK
 Tel 44 (0) 1204 58960 Fax 44 (0) 1204 558979
 Email sales@francis.co.uk Web site www.francis.co.uk