



**APPLICATION**

The FRANCIS PREMIUM FR range of searchlights incorporate the design features required to successfully operate searchlights in the most demanding product operating environments on land and sea.

The FR480 HV has excellent illumination characteristics, a powerful yet functional beam pattern and is fully focusable.

This unit is particularly suitable for larger boats such as fishing vessels – giving good illumination for commercial and rescue work.

**PART NUMBERS**

Type	Supply	Part No.1kw	2kw
FR480 Deck	110/240v	A2704	A2936
FR480 Cabin	110/240v	A2705	A2937
FR480 Deck Ped.	110/240v	A2706	A2938
FR480 Cabin Ped.	110/240v	A2707	A2939

**SPECIFICATION**

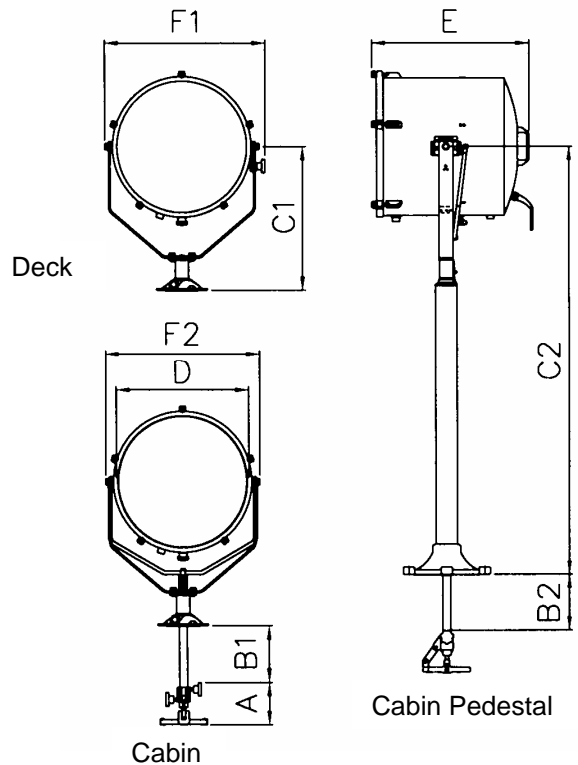
Constructed from marine grade materials and fixings.

- Parabolic glass reflector.
- Stove enamel painted.
- External lamp focus adjustment.
- Toughened front glass.
- Captive bezel / glass.
- Light shield to prevent unwanted glare & stray light.
- Tungsten Halogen lamps.
- Enclosure protection to IP 56.
- Special "B" & "C" dimensions available on request.
- Full 450° rotation.
- Vertical movement +35° to - 30°.

**Performance Data** \* Inclusive angle

Volt's	Lamp life	Range (m)	PBCP x1000	*Div	Watts	Lamp Cap	Lam Part Number
120v	400 hrs	1533	2351	6.5	2000	GY16	D20390
230v	400 hrs	1643	2701	6.5	2000	GY16	D20236
115v	750 hs	1440	2073	4.5	1000	GX9.5	D1809
230v	750 hs	1441	2078	4.5	1000	GX9.5	D6715

**Francis Searchlights Limited**  
 Union Road, Bolton, BL2 2HJ, UK  
 Tel 44 (0) 1204 558960 Fax 44 (0) 1204 558979  
 Email sales@francis.co.uk Web site www.francis.co.uk



All dimensions in Millimetres

**Base fixings**

Deck & Cabin. 3 holes Ø11.0 on a 154 PCD  
 Deck ped. & Cabin Ped 4 holes Ø12.5 on a 270 PCD  
 Cabin & Cabin Ped. Central hole Ø40.0

**Dimensions**

A	B1	B2	C1	C2	D	E	F1	F2
150	185	180	500	1542	480	558	569	548

**Weights**

Deck	Cabin	Deck Pedestal	Cabin Pedestal
33 Kg	36 Kg	45.5 Kg	47.3 Kg

For more information contact: