



FH380RC TWIN HEAD
 Iss 1. Metal Halide /
 UV Glass, Remote
 Control Variable Speed

APPLICATION

The FRANCIS TWIN HEAD Range of Remote Control searchlights has been designed with the precise aim of bringing to the market, the ultimate searchlight for both navigation and search and rescue.

The FH380RC has two light sources within the twin headed Design, one white light and the other UV light.

The quality and design of structure has been carefully developed to withstand the extraordinary conditions while in use in the harshest of environment, such as Coast Guard patrol. The heavy duty variable speed gearbox is strong, powerful and able to operate in the rough seas and high strength winds as found in coastal areas throughout the world.

PART NUMBERS

Type	Supply	Part Number
FH380 RC	240v	A6076
Optional	Additional UV glass Assy	C24872-00

SPECIFICATION

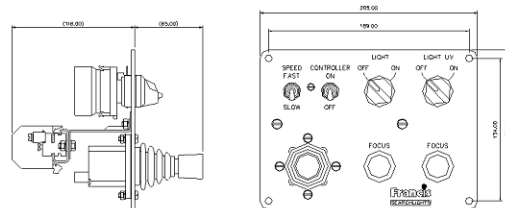
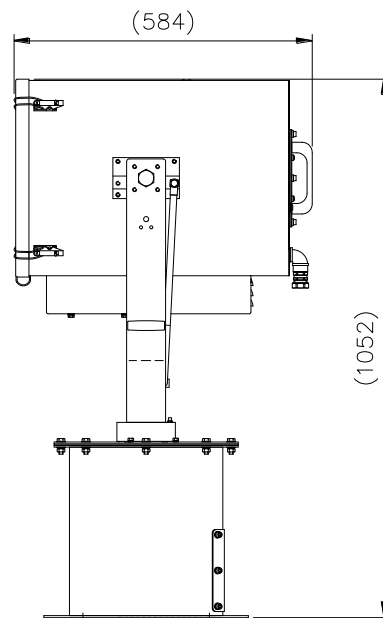
- Constructed from stainless steel and brass.
- Parabolic formed glass reflectors.
- Stove enameled paint finish.
- Toughened front glass.
- Metal Halide light sources white and UV light.
- Searchlight and gearbox protection to IP66.
- Remote pan rotation 385°.
- Remote elevation control +20 to -35°
- Rotation speed 1 - 20°/sec. Elevation speed 1 - 10°/sec.
- Joystick control panel supplied.
- Operation temperature range -50°C.
- Heater standard in gearbox and in barrel.
- Remote focus.
- Colour Temperature 5,400k, luminous flux 105,000

Performance Data - (per barrel head)

* Inclusive angle

Volt's	Lamp life	Range (m)	PBCP x1000	*Div	Watts	Lamp Cap	Part Number
240v	750 hrs	5343	28,500	2.0	1200w	G38	D15746 Clear glass
240v	750 hrs	4274	22,800	2.0	1200w	G38	D15746 UV glass

Francis Searchlights Limited
 Union Road, Bolton, BL2 2HJ, UK
 Tel 44 (0) 1204 558960 Fax 44 (0) 1204 558979
 Email sales@francis.co.uk Web site www.francis.co.uk



All Dimensions in MM

Base fixings:

4 holes Ø12.5 on a 350 PCD

Weight - Approx 70 Kgs

For more information contact: