



**FH380RC 1200w Iss 5
Metal Halide, R/C,
Variable Speed**

APPLICATION

The FRANCIS FH range of Remote Controlled Searchlights incorporate the design features required to successfully operate searchlights in the most demanding product operating environments on land and sea..

Francis Searchlights have redesigned and improved the remote controlled Metal Halide Searchlight still further by adding full variable speed as a standard option at no extra cost.

The exceptional power achieved with the light source is ideal for spotting dangers to navigation in the Polar Regions. Such as low-lying icebergs. Other potential hazards, such as debris and small craft, are easily spotted at long range allowing sufficient time for action to be taken.

PART NUMBER

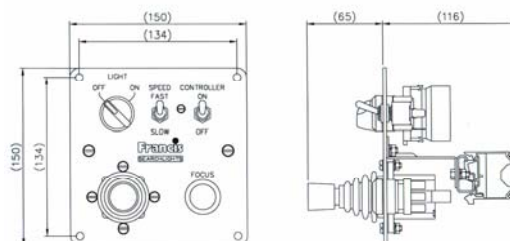
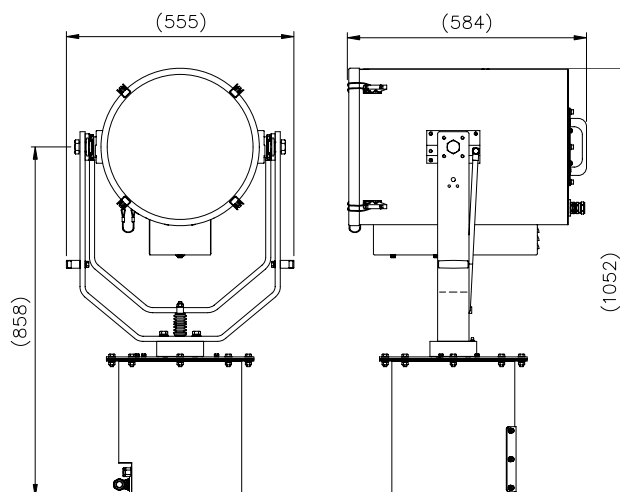
Type	Supply	L/holder	Part Number
FH380 RC	240v	GY22	A2447

Weight

FH380 RC	50 Kg
Control gear (500 x 400 x 210)	22.2 Kg

SPECIFICATION

- Constructed from marine grade materials & fixings.
- Stove enamel paint finish.
- Parabolic glass reflector.
- Instant lamp re-strike. No cooling down time required.
- Remote focus fitted as standard.
- Joystick control included.
- Toughened front glass.
- Sealing to IP66 Gearbox/Control gear – IP 56 Searchlight.
- Remote elevation control +25° to -25°.
- Remote pan rotation 385°.
- Variable speed gearbox 1 - 20°/sec (Pan) 1 - 10°/sec (Tilt).
- Operational temperature -20° C.
- Optional heaters available to -50° C.
- Luminous flux 105,000.
- Colour temperature 5,400 K.



All dimensions in Millimeters

Base fixings

4 holes Ø12.5 on a 350 PCD.

Performance Data * Inclusive angle

Volt's	Lamp life	Range (m)	PBCP x1000	*Div	Watts	Lamp Cap	Lamp Part No
240v	750 hrs	5343	28500	2	1200	GY22	D15746

For more information contact:

Francis Searchlights Limited
 Union Road, Bolton, BL2 2HJ, UK
 Tel 44 (0) 1204 558960 Fax 44 (0) 1204 558979
 Email sales@francis.co.uk Web site www.francis.co.uk