



FH300 Oil Spill Issue 2
Metal Halide – 575 w
Manual Control

OIL SPILL DETECTION

The FRANCIS FH oil spill range of searchlights has been developed to meet the ever increasing demands on Environment control. The significant clean up costs of oil spill makes this unit invaluable. The unit can be utilized on either land or sea and hence the rugged construction will meet any clients specific needs.

PART NUMBERS

Type	Supply	L/holder	Part Number
FH300 Deck	240v	G22	A2876
FH300 Cabin	240v	G22	A2877
FH300 Deck Ped.	240v	G22	A2878
FH300 Cabin Ped.	240v	G22	A2879

Weights

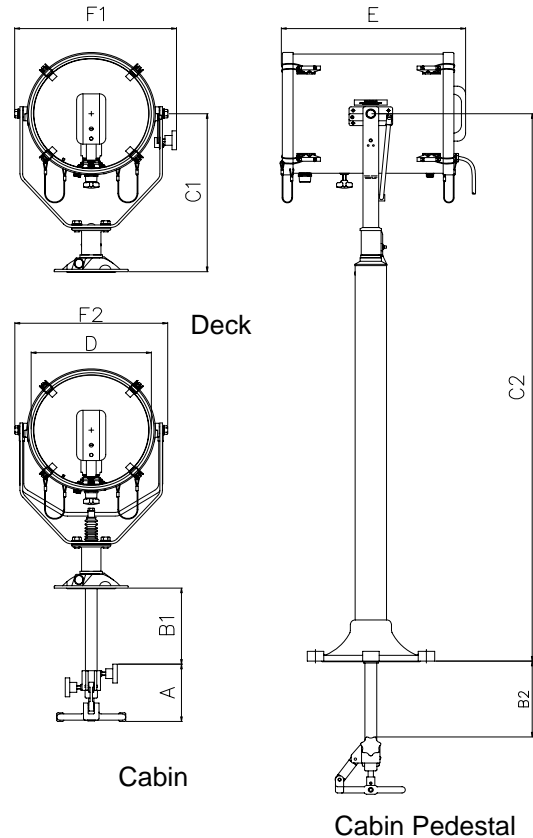
Deck	16 Kg
Cabin	18 Kg
Deck Pedestal	20 Kg
Cabin Pedestal	22 Kg
Control Gear (280 x 190 x 182)	9.5 Kg

SPECIFICATION

- All brass construction.
- Stove enamel painted.
- Parabolic glass reflector.
- Instant lamp re-strike. No cooling down time required.
- External lamp focus adjustment (2.5° spot and 10° flood).
- Remote focus mechanism available upon request.
- Special ultra violet (black) front glass.
- Captive bezel / glass.
- Light shield to prevent unwanted glare & stray light.
- Searchlight protected to IP 56
- Control gear protected to IP66.
- Special "B" & "C" dimensions available on request.
- Full 450° rotation.
- Vertical movement +45° to - 25°.
- Luminous flux 49000.
- Colour temperature 6000 K.

Performance Data * Inclusive angle

Volt's	Lamp life	Range (m)	PBCP x1000	*Div	Watts	Lamp Cap	Lamp Part No.
240v	1000 hrs	3685	13600	2.5	575	G22	D15764



All Dimensions in Millimetres

Deck & Cabin. 3 holes Ø11 on a 154 PCD
Deck Ped. & Cabin Ped 4 holes Ø14.5 on a 270 PCD
Cabin & Cabin Ped. Central hole Ø40

Dimensions

A	B1	B2	C1	C2	D	E	F1	F2
146	195	188	403	1395	300	448	395	374

For more information contact:

Francis Searchlights Limited
 Union Road, Bolton, BL2 2HJ, UK
 Tel 44 (0) 1204 558960 Fax 44 (0) 1204 558979
 Email sales@francis.co.uk Web site www.francis.co.uk