



**MK1 & M12 Issue 5
Tungsten Halogen
Manual operation**

APPLICATION

These attractive, quality built searchlights are suitable for smaller craft where good illumination characteristics, durability and appearances are important factors. These searchlights are approved by the UK Department of Transport Marine Directorate for use on ships' lifeboats according to Chapter 111 of the 1983 amendments of the S.O.I regulations.

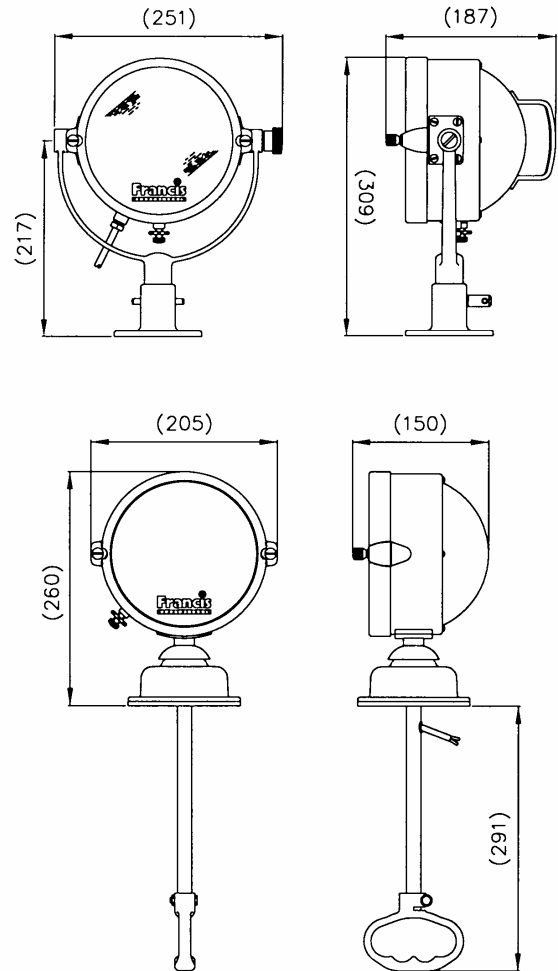
PART NUMBERS

Type	Finish	Part Number
MK1	Paint	A2200
MK1	Chrome	A2201
M12	Paint	A2198
M12	Chrome	A2199

SPECIFICATION

The following features are incorporated in both the MK1 & M12 searchlights.

- S.O.L.A.S. approved.
- IP Rating to IP65.
- All brass construction.
- External focus control.
- Toughened front glass.
- Tungsten Halogen lamps.
- MK1 is fitted with a detachable base and is swivel mounted allowing all round horizontal movement and a vertical movement which allows the light to be pointed directly overhead.



All dimensions in Millimetres

Base Fittings

MK1 – 3 holes Ø8 on a 80.0 P.C.D.

M12 – 3 holes Ø6.4 on a 108 P.C.D. with a centre clearance hole Ø45.

Performance Data * Inclusive angle

Volt's	Lamp life	Range (m)	PBC x1000	*Div	Watts	Lamp Cap	Lamp Part Number
12v	3000 hrs	576	332	3.4	50	G6.35	D4051
12v	50 hrs	405	164	3.0	50	G6.35	D9849
12v	50 hrs	640	409	4.0	100	G6.35	D3018
12v	2000 hrs	492	242	4.6	100	G6.35	D9848
24v	2000 hrs	438	191	4.7	100	G6.35	D9850

Weights

MK1

3.03 Kg

M12

2.9 Kg

For more information contact:

Francis Searchlights Limited
 Union Road, Bolton, BL2 2HJ, UK
 Tel 44 (0) 1204 558960 Fax 44 (0) 1204 558979
 Email sales@francis.co.uk Web site www.francis.co.uk