



## User Instruction & Installation Manual

### FR380 Remote Control Explorer Tungsten Halogen Searchlight



#### Product Reference Number:

A7027 – FR380RC Explorer 115/240v 650/1000w

A7026 – FR380RC Explorer 24v 150/250w

#### *Manufacturer's details:*

Francis Searchlights Ltd  
Union Road, Bolton  
**Lancashire, BL2 2HJ, UK**  
Tel: +44 (0) 1204 558960  
Fax: +44 (0) 1204 558979  
<http://www.francis.co.uk>  
E-mail: [sales@francis.co.uk](mailto:sales@francis.co.uk)

#### *Distributor details:*

Manual Part Number: C26725

12.2.15 Issue: 1

# CONTENTS

- 1 - Introduction
- 2 - Safety Precautions
- 3 - Technical Information
- 4 - Unpacking and Installation Instructions
- 5 - Electrical Installation
- 6 - Operating Instructions
- 7 - Fault Finding
- 8 - Maintenance and Servicing
- 9 - Wiring Diagrams & General Assembly
- 10 - Spare Parts List

## 1 - Introduction

**It is imperative that this manual is read carefully and understood before installing your equipment. For your future reference please keep this manual in a safe place.**

Thank you for specifying a product from the Francis Searchlights range. All Francis products are designed to give complete customer satisfaction and are manufactured to the highest engineering standards in order to ensure optimum performance and service life.

The Francis FR range combines features proven over many years service in the most hazardous conditions in both marine and land installations.

In order to prolong the life and performance of your product, we recommend that you only specify Francis Searchlights spare parts. This will also ensure that any warranties on your equipment will not be invalidated. Information on spares ordering and parts is provided in this manual.

Should you ever need to contact Francis Searchlights Ltd. regarding your equipment, please quote the Product Serial Number at all times.

## 2 - Safety Precautions

The following instructions must be adhered to, in order to ensure a safe working environment and the safety of the user.

**Note: When unpacking or manoeuvring the searchlight into its fixing position, suitable lifting points must be used in order to prevent damage to the equipment or personal injury.**

- Prevent rain, snow, condensation and water droplets from contacting the lamp as this may cause bulb failure and possible shattering;
- Quartz halogen bulbs run with a high internal pressure in excess of atmospheric. Whilst the construction is inherently strong, there is a slight risk of the bulb shattering;
- Never look directly into an illuminated searchlight as this may cause severe damage to eyesight. If it is necessary to inspect a lamp whilst in operation, always wear suitable protective goggles;
- Should it be necessary to examine the lamp with the front bezel removed, always use a protective shield and wear goggles to ensure a safe working environment;
- Never attempt to clean a lamp whilst in use;
- Searchlights get hot. Never touch the unit when lit and always allow 15 to 20 minutes for cooling down after turning the searchlight off;
- Never place anything on or cover the searchlight when in use;
- Ensure the lamp has cooled sufficiently before removal;
- If undue force appears necessary to remove the lamp, the equipment should be inspected by a competent person or contact the manufacturer;
- When breaking a lamp for disposal, care must be taken to ensure the glass fragments are safely contained. This operation must be performed out of doors in free air. In all circumstances refer to the lamp manufacturers instructions packed with the lamp;
- Due to the vast range of lamps available it may appear possible that more powerful lamps can be used in the equipment than for which it was designed. Even when the unit will physically accept a higher wattage or voltage lamp, this substitution is not recommended and is dangerous. This action will also void any warranties on the equipment.

**Always refer to the lamp manufacturer's technical data when dealing with lamps.**

### 3 - Technical Information

This product has been designed to operate in accordance with the product specification. The FR380RC searchlight has the following features:

- All marine grade materials and fixings;
- Parabolic glass reflector;
- Powder coated & stove enamel paint finish;
- 420° horizontal rotation;
- Vertical movement  $\pm 40^\circ$ ;
- Motor speed 1-15°/sec (Pan). ,1-5°/sec (Tilt);
- RS485 connectivity & auto home positioning;
- Remote focus facility;
- Thermostatically controlled internal heater.(Optional);
- Toughened front glass;

The 24v searchlight also performs to the following optical data:

	<u>150 Watt T/H</u>	<u>250 Watt T/H</u>
■ Supply voltage	24v	24v
■ Peak Beam Candlepower	1,718,000 Lux	2,800,000 Lux
■ Range	1311 metres	1673 metres
■ Divergence	2°	3°
■ Operational temperature with heater	-50°C (-20° without)	-50°C (-20° without)

The 115v searchlight also performs to the following optical data:

	<u>1000 Watt T/H</u>
■ Supply voltage	115v
■ Peak Beam Candlepower	1,560,000 Lux
■ Range	1249 metres
■ Divergence	6°
■ Operational temperature with heater	-50°C (-20° without)

The 220/240v searchlight also performs to the following optical data:

	<u>650 Watt T/H</u>	<u>1000 Watt T/H</u>
■ Supply voltage	220/240v	220/240v
■ Peak Beam Candlepower	1,240,000 Lux	1,465,000 Lux
■ Range	1114 metres	1210 metres
■ Divergence	5°	5°
■ Operational temperature with heater	-50°C (-20° without)	-50°C (-20° without)

In order that the searchlight operates correctly it is imperative that competent personnel are responsible for the installation, operation and servicing of this equipment. Failure to adhere to this advice may cause premature failure or incorrect operation of the searchlight, which may damage the equipment or cause personal injury.

## 4 - Unpacking and Installation Instructions

The following instructions should be read and fully understood prior to installing the equipment to ensure that the correct procedures are followed and all safety precautions are observed.

**Note: If the equipment has been in storage for a considerable amount of time, it is advisable to conduct a routine maintenance check on all parts before installation.**

### **Safety Precautions**

This equipment should not be connected to an electrical supply before being installed. Installation procedures should be adhered to in order to ensure a safe working environment and reduce the risk of damage or personal injury.

### **Preparing the Mounting Position**

Mark out and drill the fixing holes through the deck refer to drawing C23290). If anti-vibration mounts are to be fitted, the fixing holes for the mounts should also be marked out and drilled. Prior to manoeuvring the searchlight into its' fixing position, the AV mounts should be fitted to the base. When in the desired position, bolt the searchlight firmly down. On an uneven surface it may be necessary to use a suitable sealant such as silicone, in order to ensure a weatherproofed joint.

## 5 - Electrical Installation

For safety purposes, only competent personnel should perform the electrical installation. All equipment should be installed to current Electrical Regulations and Standards.

In order to obtain the maximum light output from the searchlight, it is essential that the full operating voltage of the lamp fitted be applied to the lampholder contacts.

### Method of Electrical Connection

- 1) Disconnect the supply before working on the electrical system;
- 2) The searchlight must be connected to a fused electrical supply, using suitably sized cable;
- 3) If the searchlight is located a considerable distance from the supply, provision must be made in the cable size in order to overcome the voltage drop. The following table should be used for indication purposes only:

Searchlight	24v 150w	24v 250w	115v 1000w	230v 1000w	230v 650w
Cable Size (mm <sup>2</sup> )	Distance Max	Distance Max	Distance Max	Distance Max	Distance Max
1.5	5 MTRS	3 MTRS	17 MTRS	68 MTRS	105 MTRS
2.5	8 MTRS	5 MTRS	28 MTRS	111 MTRS	171 MTRS
4	13 MTRS	8 MTRS	44 MTRS	176 MTRS	271 MTRS
6	20 MTRS	12 MTRS	69 MTRS	275 MTRS	422 MTRS
10	34 MTRS	20 MTRS	115 MTRS	460 MTRS	707 MTRS

- 4) Whenever possible cable terminations should be made below deck and with approved terminal devices;
- 5) If a spare auxiliary fuse or circuit breaker is not available, one of the correct type and rating should be fitted and connected to a positive supply. It is advisable to locate a bus bar or main connection and avoid any direct connection to the supply;
- 6) For 110/220v AC products, the following colour coding system should be used for the customer supply cable:

Brown            - Live  
Blue             - Negative  
Green/Yellow   - Earth

**Note: This equipment must be earthed.**

## **Installation Guidelines**

### **A typical installation and connection routine for the FR380RC Low Voltage searchlight is as follows:**

Referring to wiring diagram C26711, a supply is fed to the junction box, which then provides a common feed to the motor gearbox, searchlight and joystick panel.

The searchlight has been pre-wired with 3 meters of cable from the motor gearbox to junction box provided. The searchlight head is pre-wired along with the connecting cable to the motor gearbox.

Cables required to be connected by the customer: -

2 pair twisted screened cable from the joystick panel to the junction box.

Supply cable to the junction box.

### **A typical installation and connection routine for the FR380RC High Voltage searchlight is as follows:**

Referring to wiring diagram C26714, a supply is fed to the junction box, which then provides a common feed to the motor gearbox, searchlight and joystick panel.

The searchlight has been pre-wired with 3 meters of cable from the motor gearbox to junction box provided. The searchlight head is pre-wired along with the connecting cable to the motor gearbox.

Cables required to be connected by the customer: -

2 pair twisted screened cable from the joystick panel to the junction box.

Supply cable to the junction box.



## 6 - Operating Instructions

This equipment is designed for use out of doors, in free air. Never place anything on, or cover the searchlight when in use as this may present a hazard.

The searchlight can be remotely positioned via the joystick control panel, with the facility for movement up, down, left and right. (See Fig 1 below for aid to instructions)

To operate the panel press panel button (1), the button will light up & the joystick (4) is now operational. To switch the lamp on or off press the lamp button (2)

The speed of movement depends on the more pressure applied to the joystick (4) the faster the searchlight moves. When in the desired position the joystick should be released so that it returns to dead centre.

The beam of the searchlight can be adjusted to give a variety of beam types. Using the focus button (3) on the joystick panel, the desired beam can be achieved for any particular application. The beam will move continuously through 'spot' to 'flood'. In order to fix the beam type, simply release the focus button at the desired position.

To return the searchlight to Factory set auto home position (forward and horizontal) simply switch off the joystick panel using the panel button (1) and then press the lamp button (2), the searchlight will then move to the per-programed home position.

To set a new Home position, move the searchlight to the desired home position, switch off the panel (1), move the joystick to the downward position ↓ and simultaneously press the Lamp button (2), and then the Lamp button (2) will flash, to indicate the new programed Home position.

There is the option for added slave panels, the slave panel has all the features of the main control panel i.e. joystick, focus and on/off.

Slave Panel control, to take control of a Slave Panel when a Main Panel is on, press the Panel button (1) twice, the panel button will illuminate, allowing you to control the searchlight from the Main Control Panel & vice versa when switching back to the Main Panel.

When the lamp is switched on, this will illuminate the Lamp button (1) on both the Main & Slave Control panel, also when the Focus button (3) is pressed, both Focus buttons will be illuminated.

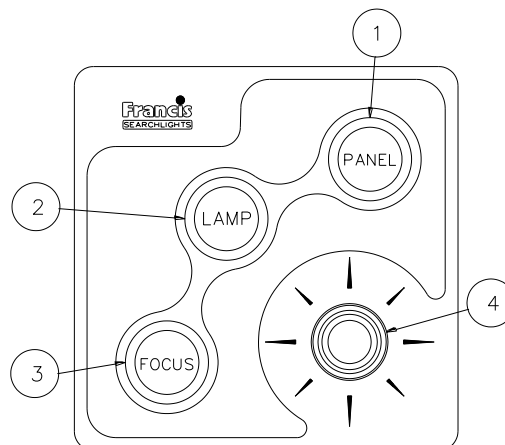


Fig 1

## Setting to Work

Safe service in use necessitates the strict observance of the following precautions.

- Any article fabricated from quartz or glass is inherently fragile and care should therefore be taken, at all times, when handling lamps;
- Eye protection must be worn when handling lamps that have been removed from their packaging materials. The protective jacket should not be removed from the lamp for safety reasons, as there is a remote possibility of the lamp shattering violently, especially if it is subjected to mechanical shock or vibration;
- Always isolate the equipment from the supply before inserting a lamp;
- Before inserting the lamp ensure that all contacts are clean. Contacts must be renewed at the slightest sign of corrosion. Sanding or filing down corroded areas is not recommended as this will only make the conducting surface between the pin and lampholder smaller, thus causing the lamp to overheat;
- Do not twist or bend the fused quartz bulb when fitting the lamp as mechanical stresses MUST be avoided;
- The lamp must be capable of unimpeded expansion when it warms up to operating temperature. Mechanical forces must not be applied to the fused quartz bulb;
- Before the protective jacket is removed, suitable protection must be worn i.e face mask and gloves with wrist protection;
- Never touch the quartz bulb with bare hands, as fingerprints will make the glass cloudy and cause a severe loss of light. This may also cause recrystallisation and thus weaken the bulb material. Should the bulb be inadvertently touched, remove fingerprints with methylated spirit and a clean, soft paper towel. The bulb should then be wiped with distilled water. NOTE: ALWAYS WEAR MASK AND GLOVES DURING CLEANING);

**In all circumstances the lamp manufacturer's data should be referred to when dealing with lamps.**

*When fitting the lamp:*

- Always isolate the equipment from the supply when inserting a lamp;
- Ensure the circuit is suitably fused;
- Ensure the lamp is of the correct power rating and type;
- Check lampholder is in good condition. If the contacts show any sign of corrosion, replace the lampholder;
- Check the lampholder is in a good dry condition. Never allow water to collect in the lamp fitting or come into contact with the lamp.

*To fit the lamp:*

- Loosen all the thumbscrews on the front of the searchlight, remove the bezel and glass and store in a safe place;
- For easier access the light shield/spill ring may be removed by undoing the fasteners;
- Cut open one end of the protective sleeve surrounding the lamp;
- Using the sleeve to prevent the fingers coming into contact with the lamp, position the two pins above the holes in the lampholder;
- Gently push the lamp into the lampholder and remove the protective sleeve;
- Replace the light shield/spill ring and front bezel assembly, ensuring the thumbscrews are securely fastened.

## **Testing**

Upon correct installation and connection to an electrical supply, the equipment can be tested in order to ensure its' correct performance. A competent person with some knowledge of electrical equipment must carry out this work.

Equipment required:    Multi-meter with leads  
                                  Ammeter

Using the equation  $P=VI$ , the approximate power output of the equipment can be calculated in the following way:

- Using the multi-meter, take a voltage reading;
- Using the ammeter, take an amps reading from the live cable to the lamp;
- Multiply these figures together to give an approximate wattage (Power output).

For example:

Using a 240v 1000w Tungsten halogen lamp:  
Voltage reading = 240v; Amps reading = 4 amps

Therefore, Wattage =  $240 \times 4 = 960$  watts

## 7- Fault Finding

All fault finding must be conducted by a competent person or qualified Electrical Engineer.

### Failure of Lamp to light

*Causes:*

- 1) Power not supplied;
- 2) Fuse blown;
- 3) Failed lamp

*Remedy:*

- 1) Check voltage at supply. If supply is not present the fault is at the customer supply. If power is present, see remedy 2;
- 2) Check fuse for visual failure. If none noticeable check fuse for continuity using a multi-meter. If fuse found to be faulty, replace with new part and test equipment again for correct working order. If found to be working correctly see remedy 3;
- 3) Firstly, check supply at lampholder connecting block (within searchlight barrel). If supply is present, disconnect unit from power supply before removing the lamp. If noticeable damage to filament is present, the lamp will have failed. The lamp can also be checked for continuity using a multi-meter. Replace lamp ensuring all precautions and instructions previously outlined in this manual are adhered to.

### Failure of Remote Focus

*Causes:*

- 1) Power not supplied;
- 2) Faulty connections;
- 3) Failed motor/transformer

*Remedy:*

- 1) Check voltage at supply. If no supply present fault is at customer supply. If power is present see remedy 2;
- 2) Check all wiring connections on motor, transformer and terminal rail, in accordance with the wiring diagram. If found to be correct, see remedy 3;
- 3) Remove focus motor and apply 24v DC directly across terminals. If motor does not rotate the unit has failed. A new focus motor should be fitted to the lampholder assembly.

**NOTE: If a fault occurs on the pan and tilt gearbox, the unit should be returned to Francis Searchlights Limited for fault evaluation and repair.**

## 8 - Maintenance and Servicing

In order to prolong the service life and performance of your searchlight, the following maintenance guidelines are recommended:

- Maintenance checks should be conducted before every voyage or at least every three months;
- Before checking, disconnect the equipment from the supply;
- Visually inspect the condition of the equipment;
- Any major or minor structural damage should be rectified immediately in order to reduce sympathetic wear;
- After inspection it may be necessary to clean the inside of the searchlight. The following procedure should be adhered to:
  - Remove the front bezel;
  - Clean the front glass inside and out using a proprietary glass cleaner or metal polish;
  - Clean the reflector if required;
  - Check the reflector mounting gaskets. If signs of corrosion or damage are evident, replace as necessary;
  - Ensure that the lampholder is free from corrosion or other damage;
  - Check earthing point for conductivity;
- It is advisable to check all seals and gaskets for signs of degradation. Renew if necessary;
- The searchlight is fitted with a breather unit. This ensures a steady airflow in order to prevent any vacuum forming within the barrel.
- Upon completing all maintenance requirements the searchlight should be tested for full working order (approximately 20 minutes).

**If in any doubt as to the correct servicing procedures to adopt please contact your distributor/agent or the manufacturer who will be able to advise the best course of action for your product.**

## 9 - Wiring Diagrams and General Assembly

<b>Drawing Number</b>	<b>Description</b>
A7027	FR380RC Explorer H.V G.A
A7026	FR380RC Explorer L.V G.A
C26714	H.V Explorer RC Wiring Diagram
C26711	L.V Explorer RC Wiring Diagram
C26540	Joystick Panel Assembly
C26683	Junction Box Assembly

1	AS FIRST DRAWING
15	NO MODIFICATION DETAILS
16	DATE

1	AS FIRST DRAWING
15	NO MODIFICATION DETAILS
16	DATE

1	AS FIRST DRAWING
15	NO MODIFICATION DETAILS
16	DATE

1	AS FIRST DRAWING
15	NO MODIFICATION DETAILS
16	DATE

1	AS FIRST DRAWING
15	NO MODIFICATION DETAILS
16	DATE

1	AS FIRST DRAWING
15	NO MODIFICATION DETAILS
16	DATE

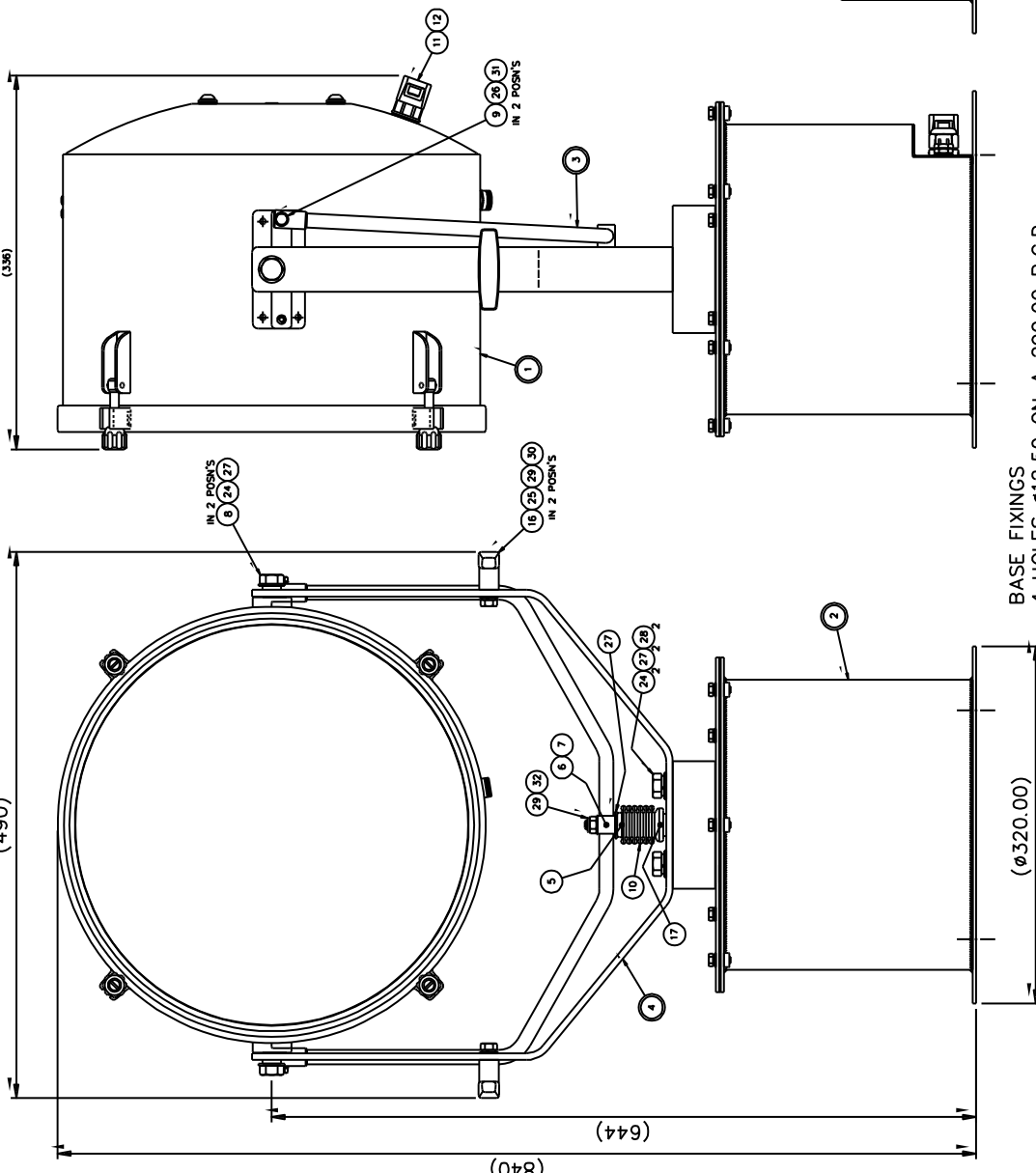
1	AS FIRST DRAWING
15	NO MODIFICATION DETAILS
16	DATE

1	AS FIRST DRAWING
15	NO MODIFICATION DETAILS
16	DATE

1	AS FIRST DRAWING
15	NO MODIFICATION DETAILS
16	DATE

1	AS FIRST DRAWING
15	NO MODIFICATION DETAILS
16	DATE

ITEM	PART No.	DRG No.	DESCRIPTION	QTY
1	C17218	X4960	BARREL ASSY	1
2	C26589		MOTOR UNIT ASSY	1
3	C26713		U-PIECE ASSY	1
4	C22914		CRUTCH SUB ASSY	1
5	C20270		BELLOWS TOP BUSH	1
6	C26768		U-PIECE BLOCK INT BUSH	1
7	C26769		U-PIECE BLOCK EXT BUSH	1
8	C10109	X2644	TRUNNION SPACER	2
9	C23329		U-PIECE BUSH	2
10	C20281		BELLOWS	1
11	C23281		M20 CONDUIT GLAND	2
12	C23527		M20 SEALING WASHER	2
13	C23280		M20 CONDUIT	1M
14	C10158		M20 CABLE GLAND	1
15	C15293		M13 CABLE GLAND	1
16	C20943		LIFTING HANDLE	2
17	C21967		'O' RING	1
18	C24407		SLEEVING	1M
19	C08791		3 CORE 1.5mm CABLE	4M
20	C24827		2 PAIR TWISTED CABLE	4M
21	C13873		1.5mm S/C CABLE BLACK	2M
22	C13872		1.5mm S/C CABLE RED	2M
23	C15112		1.5mm S/C CABLE G/Y	4M
24	C08369		M12 x 20 HEX HD SCREW	4
25	C09208		M8 x 30 HEX HD SCREW	2
26	C09580		M6 x 25 HEX HD SCREW	2
27	C08370		M12 PLAIN WASHER	5
28	C17133		M12 S/C SPRING WASHER	2
29	C06999		M6 PLAIN WASHER	3
30	C15041		M6 S/C SPRING WASHER	2
31	C06997		M6 PLAIN WASHER	2
32	C12354		M8 NYLOCK NUT	1



BASE FIXINGS  
4 HOLES Ø12.50 ON A 290.00 P.C.D.

STANDARD PRACTICE  
FRANCIS SEARCHLIGHTS LIMITED  
Bolt circles to ISO 8002/10.0.0.5

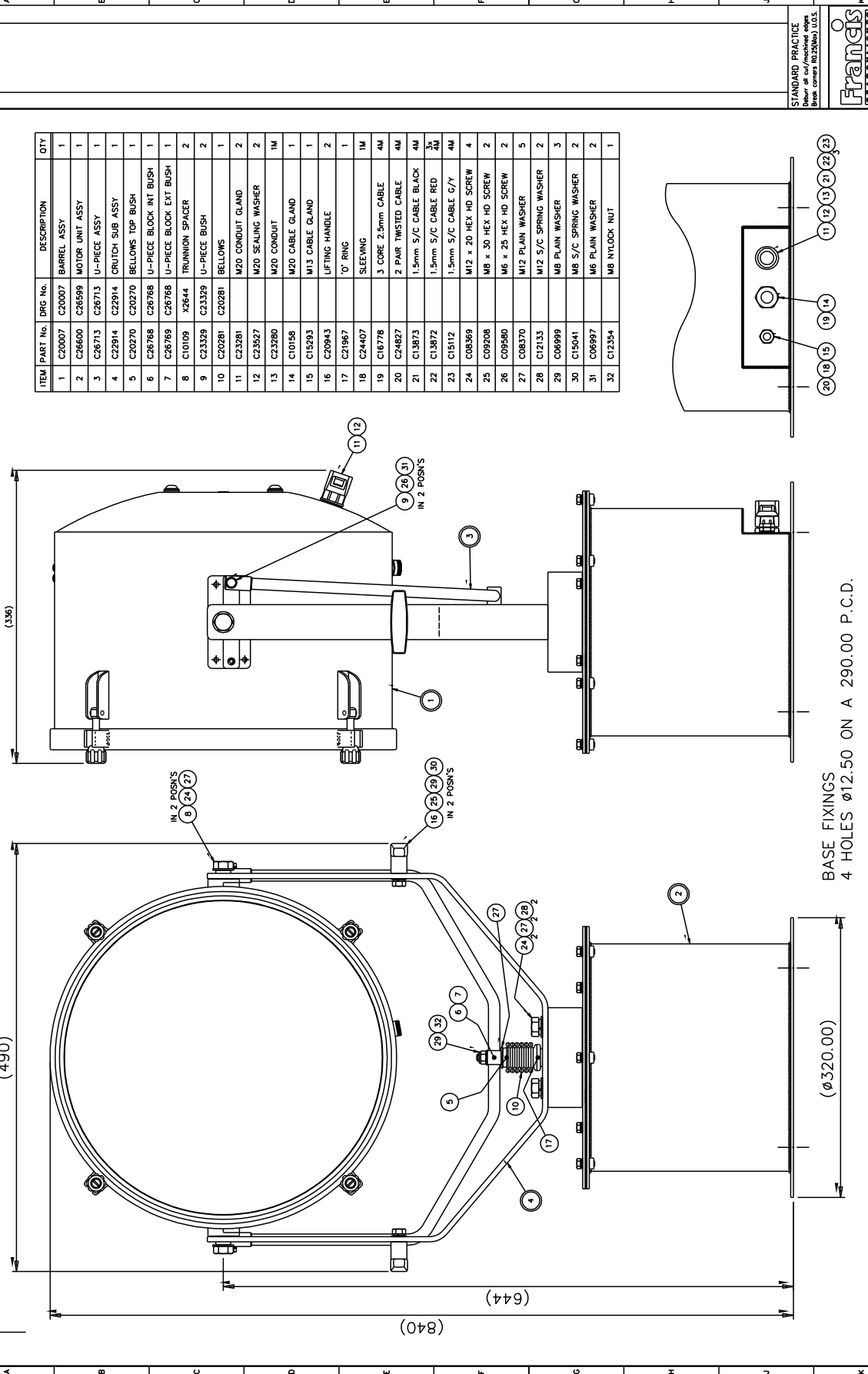
Francis  
SEARCHLIGHTS

© 2015 A1 CONT ON SHEET  
PART No./DRG No.  
A7027 1

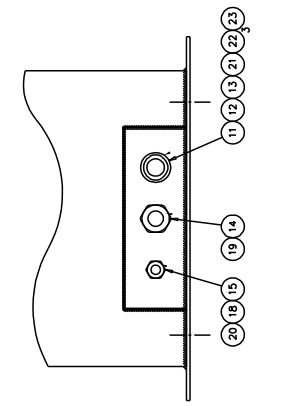
FRANCIS SEARCHLIGHTS LIMITED . UNION ROAD . BOLTON . BL2 2HU  
FR380RC EXPLORER HV V/SPEED GA

DATE	12.2.15	TOLERANCES	
DRAWN		General	±
CHECKED		As Shown	±
ALL DIMENSIONS IN MILLIMETRES			

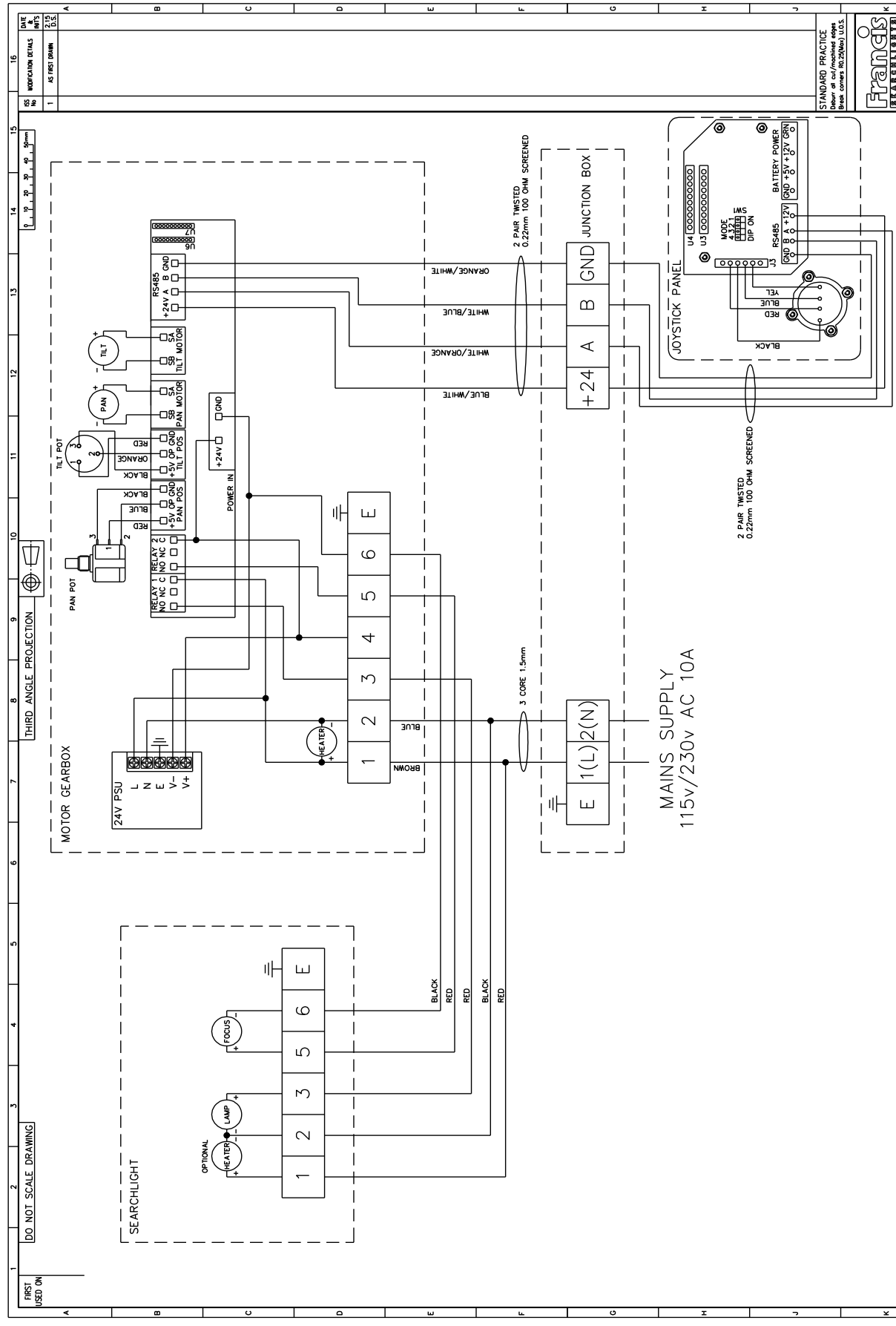
Send Copying to ISO 8002 C10  
Die Casting to ISO 8002 C18  
Note contents & pages 1



ITEM	PART No.	DRG No.	DESCRIPTION	QTY
1	C20007	C20007	BARREL ASSY	1
2	C26600		MOTOR UNIT ASSY	1
3	C26713		U-PIECE ASSY	1
4	C22914		CRUTCH SUB ASSY	1
5	C20270		BELLOWS TOP BUSH	1
6	C26768		U-PIECE BLOCK INT BUSH	1
7	C26768		U-PIECE BLOCK EXT BUSH	1
8	C10109	X2644	TRUNNION SPACER	2
9	C23329	C23329	U-PIECE BUSH	2
10	C20281		BELLOWS	1
11	C23281		M20 CONDUIT GLAND	2
12	C23527		M20 SEALING WASHER	2
13	C23280		M20 CONDUIT	1M
14	C10158		M20 CABLE GLAND	1
15	C15933		M13 CABLE GLAND	1
16	C20943		LIFTING HANDLE	2
17	C21987		'O' RING	1
18	C24407		SLEEVING	1M
19	C16778		3 CORE 2.5mm CABLE	4M
20	C24827		2 PAIR TWISTED CABLE	4M
21	C13873		1.5mm S/C CABLE BLACK	4M
22	C13872		1.5mm S/C CABLE RED	4M
23	C15112		1.5mm S/C CABLE G/Y	4M
24	C08369		M12 x 20 HEX HD SCREW	4
25	C09208		M8 x 30 HEX HD SCREW	2
26	C09590		M6 x 25 HEX HD SCREW	2
27	C08370		M12 PLAIN WASHER	5
28	C12133		M12 S/C SPRING WASHER	2
29	C06999		M8 PLAIN WASHER	3
30	C15041		M8 S/C SPRING WASHER	2
31	C06997		M6 PLAIN WASHER	2
32	C12354		M8 NYLOCK NUT	1



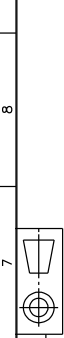
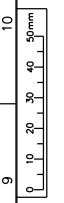




DATE	D.S.	5.2.15	TOLEANCES	Send Contour: to ISO 8032 C10
CHECKED	SCALE	1:1	General: #	Die Contour: to ISO 8062 C10
			Aspirator: #	Note centres & points: #
ALL DIMENSIONS IN MILLIMETRES				
FRANCIS SEARCHLIGHTS LIMITED · UNION ROAD · BOLTON · BL2 2HU				
WIRING DIAGRAM FR RANGE HV EXPLORER 2015				
PART No./REV No.				
© 2015 A1 CONT ON SHEET				
STANDARD PRACTICE				
Refer to our website for the latest updates				
Francis SEARCHLIGHTS				
SHEET				
C26714 1				

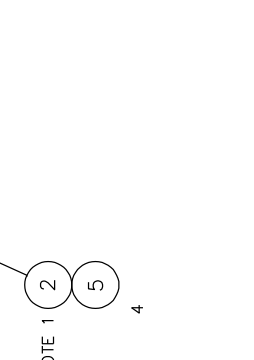
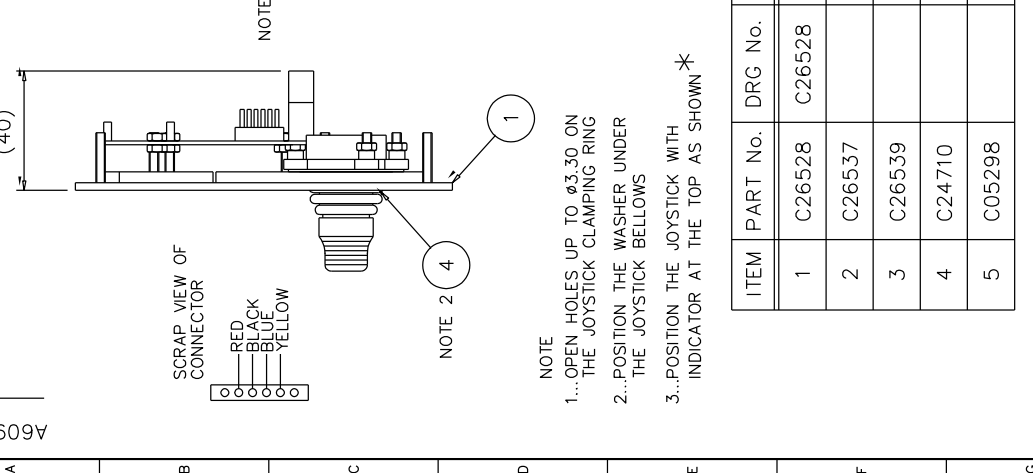
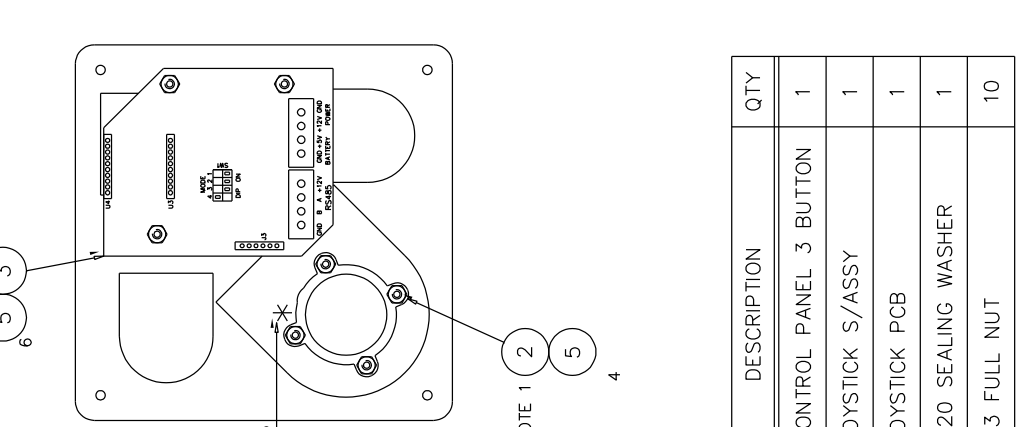
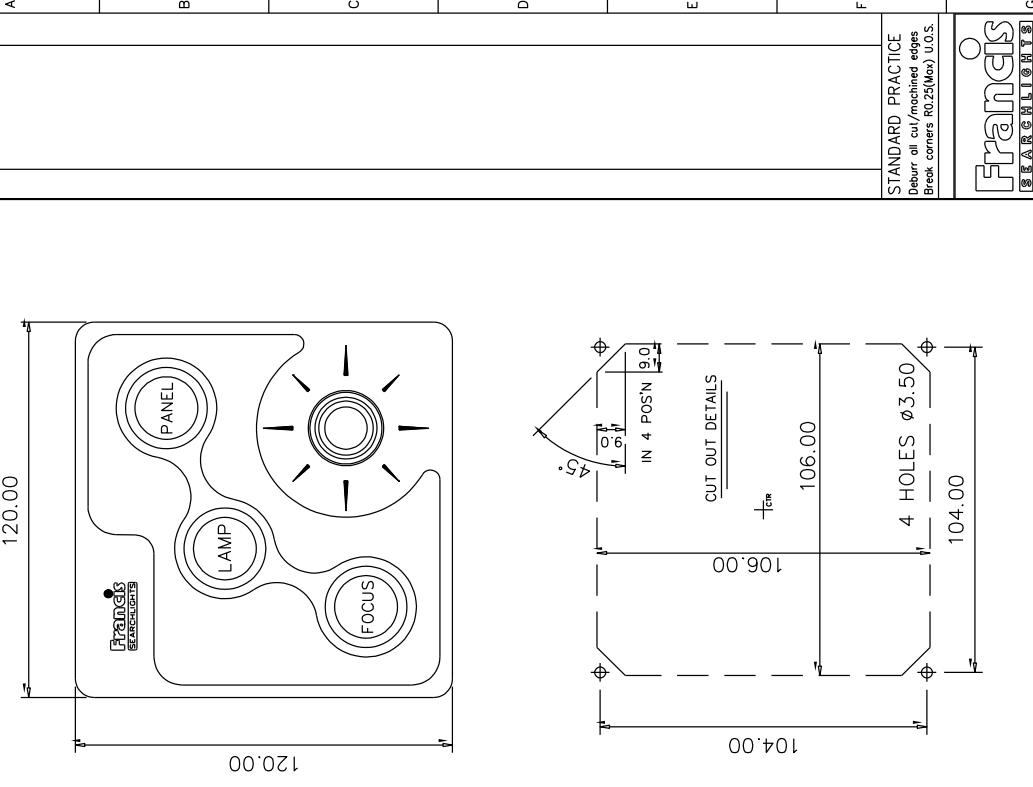


DATE 11.14	INTS LW
MODIFICATION DETAILS	
ISS No 1	AS FIRST DRAWN



DO NOT SCALE DRAWING

FIRST USED ON  
A6093



ITEM	PART No.	DRG No.	DESCRIPTION	QTY
1	C26528	C26528	CONTROL PANEL 3 BUTTON	1
2	C26537		JOYSTICK S/ASSY	1
3	C26539		JOYSTICK PCB	1
4	C24710		M20 SEALING WASHER	1
5	C05298		M3 FULL NUT	10

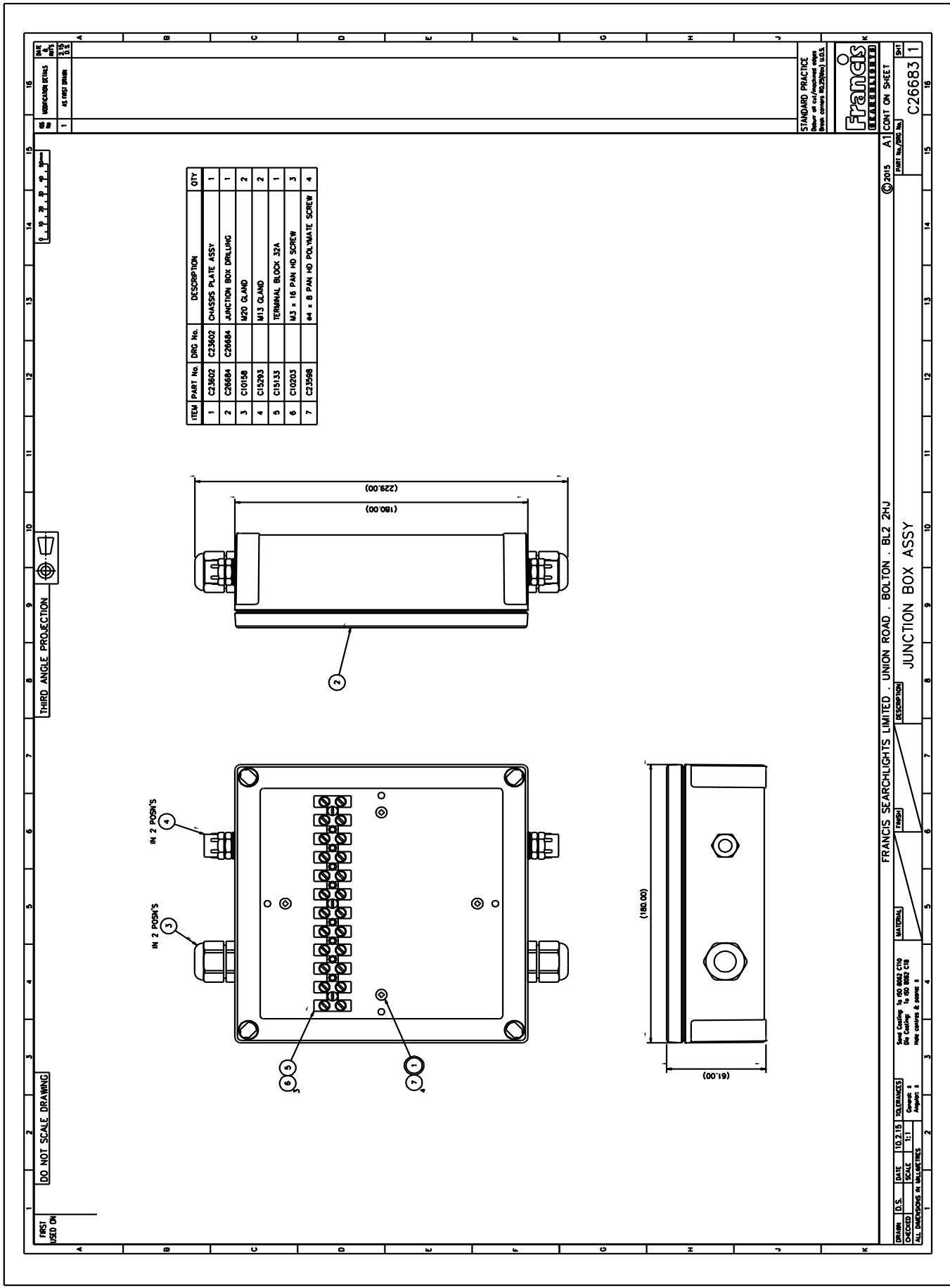
NOTE  
 1...OPEN HOLES UP TO ø3.30 ON THE JOYSTICK CLAMPING RING  
 2...POSITION THE WASHER UNDER THE JOYSTICK BELLOWS  
 3...POSITION THE JOYSTICK WITH INDICATOR AT THE TOP AS SHOWN\*

STANDARD PRACTICE  
 Deburr all cut/machined edges  
 Break corners R0.25(Min) 0.05.



©2013	A2	CONT ON SHEET
PART No./DRG No.	C26540	
SHT	1	

FRANCIS SEARCHLIGHTS LIMITED . UNION ROAD . BOLTON . BL2 2HU	DESCRIPTION	JOYSTICK PANEL ASSY
TOLERANCES	FINISH	
Scale: 1:1	MATERIAL	
General: ±	To ISO 8062 C10	
Angular: ±	Die Casting: To ISO 8062 C18	
ALL DIMENSIONS IN MILLIMETRES	Hole centres & posns: ±	



ITEM	PART No.	DRG No.	DESCRIPTION	QTY
1	C23602	C23602	CHASSIS PLATE ASSY	1
2	C26684	C26684	JUNCTION BOX BRILLING	1
3	C10158		M20 GLAND	2
4	C15283		M13 GLAND	2
5	C15133		TERMINAL BLOCK 32A	1
6	C10203		M3 x 16 PANI HD SCREW	3
7	C23588		M4 x 8 PANI HD POLYIMATE SCREW	4

NO.	REVISION	DATE	BY	CHKD.
1		15.03.2015		

STANDARD PRACTICE  
Refer to cat./manual notes  
Date correct (02/20/2015) U.S.



© 2015 FRANCIS SEARCHLIGHTS LIMITED  
UNION ROAD . BOLTON . BL2 2HJ  
PART NO./REV. No. C26683 1

DO NOT SCALE DRAWING

DATE	SCALE	BY	CHKD.	APPROV.
10.2.15	1:1			

Drawn to ISO 8002 C10  
Die Casting to ISO 8002 C10  
Note covers & parts &

FRANCIS SEARCHLIGHTS LIMITED . UNION ROAD . BOLTON . BL2 2HJ  
JUNCTION BOX ASSY

## 10 - Spare Parts List

The following spare parts can be ordered directly from the manufacturer:

<b>Part Number</b>	<b>Description</b>
<b>Searchlight Spares</b>	
D14795	24v 150w 300HRS GX6.35 Tungsten Halogen Lamp
D4695	24v 250w 2000HRS GX6.35 Tungsten Halogen Lamp
D9851	24v 250w 300HRS GX6.35 Tungsten Halogen Lamp
D1809	115v 1Kw 750HRS GX9.5 Tungsten Halogen Lamp
D6715	240v 1Kw 750HRS GX9.5 Tungsten Halogen Lamp
D1813	240v 650w 750HRS GX9.5 Tungsten Halogen Lamp
C03022-00	Lampholder GX9.5
C16878-00	Lampholder GX6.35
C08890-00	Front Glass
C08891-00	Front Glass Gasket
C16410-00	Motor - Remote Focus
C08884-00	Reflector
C22268-01	Breather Assembly
C16761-00	A.V. Mount
C20281-00	Bellows
<b>Motor Gearbox Spares</b>	
C23259-01	Pan Motor Assembly
C23267-01	Tilt Motor Assembly
C23234-00	Pedestal Sealing Gasket
C26595-01	Speed Controller PCB
C26545-00	PSU
C23278-00	Heater LV
C23277-00	Heater HV
<b>Joystick Panel Spares</b>	
C26537-01	Joystick
C26539-00	Joystick Controller PCB

In order to prolong the life and performance of your product, we recommend that you only specify Francis Searchlights spare parts. This will ensure that any warranties on your equipment will not be invalidated.

When ordering spare parts please contact the Sales Department at Francis Searchlights Limited. Please quote searchlight model and serial number at all times. This will enable a fast response to your spares' requirements.