



User Instruction & Installation Manual
L560 2/3Kw Tungsten Halogen Searchlight



Product Reference Number:

A2969 – DECK
A2893 – DECK PEDESTAL

A2993 – CABIN
A2882 – CABIN PEDESTAL

Manufacturers details:

Francis Searchlights Ltd
Union Road, Bolton
Lancashire, BL2 2HJ, UK
Tel: +44 (0) 1204 558960
Fax: +44 (0) 1204 558979
<http://www.francis.co.uk>
E-mail: sales@francis.co.uk

Distributor details:

Manual Part Number: **C22577**
Issue: 6

CONTENTS

- 1 - Introduction
- 2 - Safety Precautions
- 3 - Technical Information
- 4 - Unpacking and Installation Instructions
- 5 - Electrical Installation
- 6 - Operating Instructions
- 7 - Fault Finding
- 8 - Maintenance and Servicing
- 9 - General Assembly
- 10 - Spare Parts List

1 - Introduction

It is imperative that this manual is read carefully and understood before installing your equipment. For your future reference please keep this manual in a safe place.

Thank you for specifying a product from the Francis Searchlights range. All Francis products are designed to give complete customer satisfaction and are manufactured to the highest engineering standards in order to ensure optimum performance and service life.

The Francis Lite range combines features proven over many years service in the most hazardous conditions in both marine and land installations.

In order to prolong the life and performance of your product, we recommend that you only specify Francis Searchlights spare parts. This will also ensure that any warranties on your equipment will not be invalidated. Information on spares ordering and parts is provided in this manual.

Should you ever need to contact Francis Searchlights Ltd. regarding your equipment, please quote the Product Serial Number at all times.

2 - Safety Precautions

The following instructions must be adhered to, in order to ensure a safe working environment and the safety of the user.

Note: When unpacking or manoeuvring the searchlight into its fixing position, suitable lifting points must be used in order to prevent damage to the equipment or personal injury.

- Prevent rain, snow, condensation and water droplets from contacting the lamp as this may cause bulb failure and possible shattering;
- Quartz halogen bulbs run with a high internal pressure in excess of atmospheric. Whilst the construction is inherently strong, there is a slight risk of the bulb shattering;
- Never look directly into an illuminated searchlight as this may cause severe damage to eyesight. If it is necessary to inspect a lamp whilst in operation, always wear suitable protective goggles;
- Should it be necessary to examine the lamp with the front bezel removed, always use a protective shield and wear goggles to ensure a safe working environment;
- Never attempt to clean a lamp whilst in use;
- Searchlights get hot. Never touch the unit when lit and always allow 15 to 20 minutes for cooling down after turning the searchlight off;
- Never place anything on or cover the searchlight when in use;
- Ensure the lamp has cooled sufficiently before removal;
- If undue force appears necessary to remove the lamp, the equipment should be inspected by a competent person or contact the manufacturer;
- When breaking a lamp for disposal, care must be taken to ensure the glass fragments are safely contained. This operation must be performed out of doors in free air. In all circumstances refer to the lamp manufacturers instructions packed with the lamp;
- Due to the vast range of lamps available it may appear possible that more powerful lamps can be used in the equipment than for which it was designed. Even when the unit will physically accept a higher wattage or voltage lamp, this substitution is not recommended and is dangerous. This action will also void any warranties on the equipment.

Always refer to the lamp manufacturer's technical data when dealing with lamps.

3 - Technical Information

This product has been designed to operate in accordance with the product specification. The L560 searchlight has the following features:

- All marine grade materials and fixings;
- Parabolic formed aluminium reflector;
- Powder coated;
- External lamp focus adjustment;
- 360° horizontal rotation;
- Vertical movement +30° -25°;
- Effective weather sealing to IP66;
- Toughened front glass;
- Light shield to prevent unwanted glare & stray light;
- Tungsten Halogen light;

The searchlight also performs to the following optical data:

	<u>2000 Watt T/H</u>	<u>3000 Watt T/H</u>
■ Supply voltage	220/240v or 110/115v	220/240v or 110/115v
■ Peak Beam Candlepower	3,900,000 lux	4,850,000 lux
■ Range	2030 metres	2450 metres
■ Divergence	4.8°	6.3°
■ Temperature range	-20°C to +50°C	-20°C to +50°C

In order that the searchlight operates correctly it is imperative that competent personnel are responsible for the installation, operation and servicing of this equipment. Failure to adhere to this advice may cause premature failure or incorrect operation of the searchlight, which may damage the equipment or cause personal injury.

4 - Unpacking and Installation Instructions

The following instructions should be read and fully understood prior to installing the equipment to ensure that the correct procedures are followed, and all safety precautions are observed.

Note: If the equipment has been in storage for a considerable amount of time, it is advisable to conduct a routine maintenance check on all parts before installation.

Safety Precautions

This equipment should not be connected to an electrical supply before being installed. Installation procedures should be adhered to in order to ensure a safe working environment and reduce the risk of damage or personal injury.

Preparing the Mounting Position

Mark out and drill the fixing holes through the deck. If anti-vibration mounts are to be fitted, the fixing holes for the mounts should also be marked out and drilled. Prior to manoeuvring the searchlight into its' fixing position, the AV mounts should be fitted to the base. When in the desired position and bolt the searchlight firmly down. On an uneven surface it may be necessary to use a suitable sealant such as silicone, in order to ensure a weatherproofed joint.

5 - Electrical Installation

For safety purposes, only competent personnel should perform the electrical installation. All equipment should be installed to current Electrical Regulations and Standards.

In order to obtain the maximum light output from the searchlight, it is essential that the full operating voltage of the lamp fitted be applied to the lampholder contacts.

Method of Electrical Connection

- 1) Disconnect the supply before working on the electrical system;
- 2) The searchlight must be connected to a fused electrical supply, using suitably sized cable;
- 3) If the searchlight is located a considerable distance from the supply, provision must be made in the cable size in order to overcome the voltage drop. The following table should be used for indication purposes only:

Searchlight	120v 2Kw	230v 2Kw	240v 2Kw	115v 3Kw	230v 3Kw
Cable Size (mm ²)	Distance Max	Distance Max	Distance Max	Distance Max	Distance Max
2.5	15 MTRS	55 MTRS	60 MTRS	9 MTRS	37 MTRS
4	24 MTRS	88 MTRS	96 MTRS	14 MTRS	58 MTRS
6	37 MTRS	137 MTRS	150 MTRS	22 MTRS	91 MTRS
10	62 MTRS	230 MTRS	251 MTRS	38 MTRS	153 MTRS

- 4) Whenever possible cable terminations should be made below deck and with approved terminal devices;
- 5) If a spare auxiliary fuse or circuit breaker is not available, one of the correct type and rating should be fitted and connected to a positive supply. It is advisable to locate a bus bar or main connection and avoid any direct connection to the supply;
- 6) For 110/220v AC products, the following colour coding system should be used for the customer supply cable:

Brown - Live
Blue - Negative
Green/Yellow - Earth

Note: This equipment must be earthed.

6 - Operating Instructions

This equipment is designed for use out of doors, in free air. Never place anything on or cover the searchlight when in use as this may present a hazard.

The searchlight can be positioned using the elevation and base lockwheels. When in the desired position the lockwheels must be securely fastened to prevent damage.

The beam of the searchlight can be adjusted to give a variety of 'spreads'. Using the focus knob underneath the searchlight barrel the beam can be moved from 'spot' to 'flood' positions.

The searchlight is fitted with a breather unit; this ensures a steady airflow in order to prevent any vacuum forming within the barrel.

This product should not be used for any purpose other than for which it was designed. Any modifications to the product should not be undertaken without consulting the manufacturer.

Setting to Work

Safe service in use necessitates the strict observance of the following precautions.

- Any article fabricated from quartz or glass is inherently fragile and care should therefore be taken, at all times, when handling lamps;
- Eye protection must be worn when handling lamps that have been removed from their packaging materials. The protective jacket should not be removed from the lamp for safety reasons, as there is a remote possibility of the lamp shattering violently, especially if it is subjected to mechanical shock or vibration;
- Always isolate the equipment from the supply before inserting a lamp;
- Before inserting the lamp ensure that all contacts are clean. Contacts must be renewed at the slightest sign of corrosion. Sanding or filing down corroded areas is not recommended as this will only make the conducting surface between the pin and lampholder smaller, thus causing the lamp to overheat;
- Do not twist or bend the fused quartz bulb when fitting the lamp as mechanical stresses MUST be avoided;
- The lamp must be capable of unimpeded expansion when it warms up to operating temperature. Mechanical forces must not be applied to the fused quartz bulb;
- Before the protective jacket is removed, suitable protection must be worn i.e. face mask and gloves with wrist protection;
- Never touch the quartz bulb with bare hands, as fingerprints will make the glass cloudy and cause a severe loss of light. This may also cause recrystallisation and thus weaken the bulb material. Should the bulb be inadvertently touched, remove fingerprints with methylated spirit and a clean, soft paper towel. The bulb should then be wiped with distilled water. NOTE: ALWAYS WEAR MASK AND GLOVES DURING CLEANING);

In all circumstances the lamp manufacturer's data should be referred to when dealing with lamps.

When fitting the lamp:

- Always isolate the equipment from the supply when inserting a lamp;
- Ensure the circuit is suitably fused;
- Ensure the lamp is of the correct power rating and type;
- Check lampholder is in good condition. If the contacts show any sign of corrosion, replace the lampholder;
- Check the lampholder is in a good dry condition. Never allow water to collect in the lamp fitting or come into contact with the lamp.

To fit the lamp:

- Remove the front bezel assembly by operating the safety catch and lifting the latch body;
- For easier access the light shield may be removed by undoing the fasteners;
- Cut open one end of the protective sleeve surrounding the lamp;
- Using the sleeve to prevent the fingers coming into contact with the lamp, position the two pins above the holes in the lampholder;
- Gently push the lamp into the lampholder and remove the protective sleeve;
- Replace the light shield and front bezel assembly, ensuring the safety catch is engaged.

Testing

Upon correct installation and connection to an electrical supply, the equipment can be tested in order to ensure its' correct performance. A competent person with some knowledge of electrical equipment must carry out this work.

Equipment required: Multi-meter with leads
 Ammeter

Using the equation $P=VI$, the approximate power output of the equipment can be calculated in the following way:

- Using the multi-meter, take a voltage reading;
- Using the ammeter, take an amp reading from the live cable to the lamp;
- Multiply these figures together to give an approximate wattage (Power output).

For example:

Using a 240v 1000w Tungsten halogen lamp:
Voltage reading = 240v; Amps reading = 4 amps

Therefore, Wattage = $240 \times 4 = 960$ watts

7 - Fault Finding

All fault finding must be conducted by a competent person or qualified Electrical Engineer.

Failure of Lamp to light

Causes:

- 1) Power not supplied;
- 2) Fuse blown;
- 3) Failed lamp

Remedy:

- 1) Check voltage at supply. If supply is not present the fault is at the customer supply. If power is present, see remedy 2;
- 2) Check fuse for visual failure. If none noticeable check fuse for continuity using a multi-meter. If fuse found to be faulty, replace with new part and test equipment again for correct working order. If found to be working correctly see remedy 3;
- 3) Firstly, check supply at lampholder connecting block (within searchlight barrel). If supply is present, disconnect unit from power supply before removing the lamp. If noticeable damage to filament is present, the lamp will have failed. The lamp can also be checked for continuity using a multi-meter. Replace lamp ensuring all precautions and instructions previously outlined in this manual are adhered to.

8 - Maintenance and Servicing

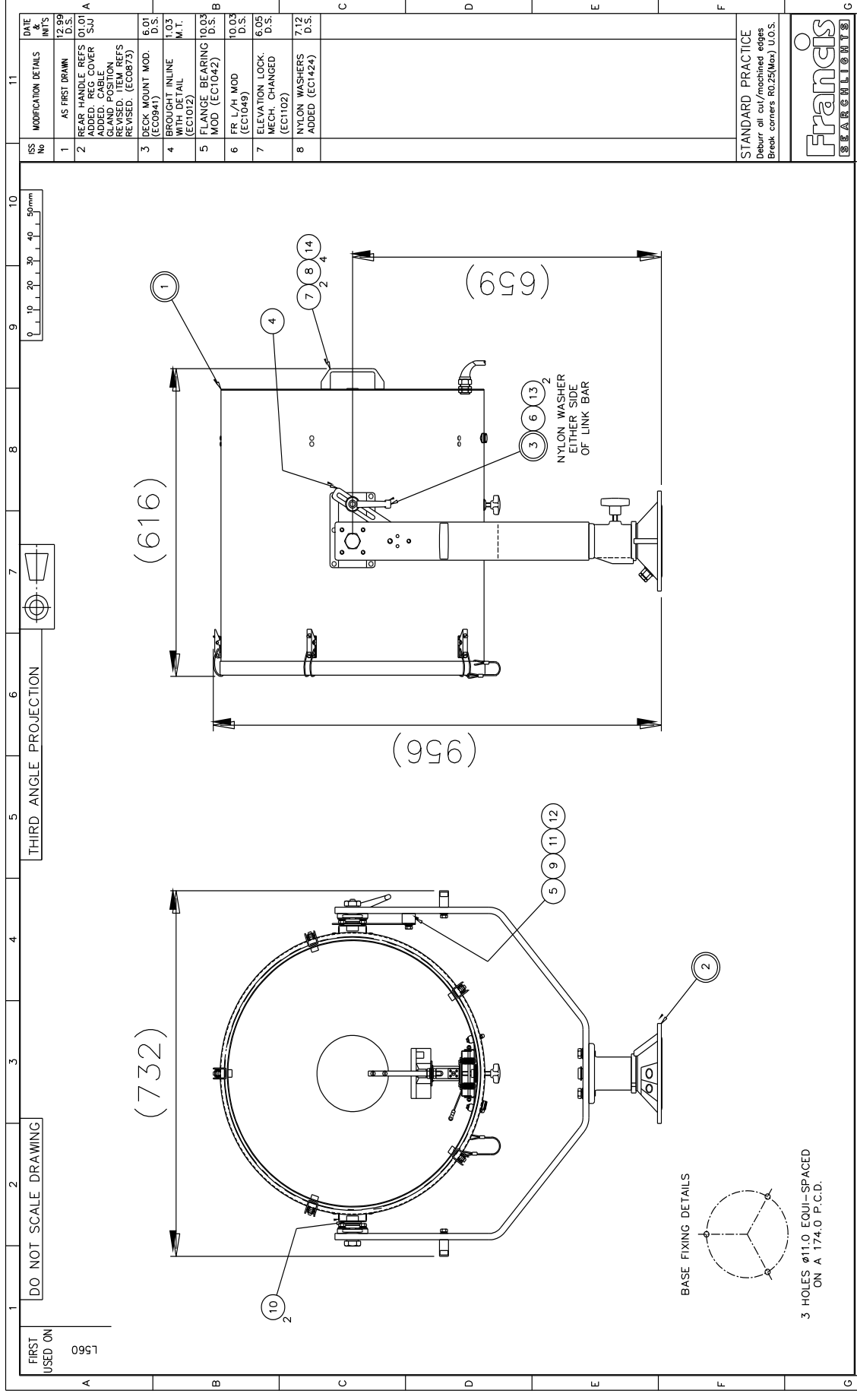
In order to prolong the service life and performance of your searchlight, the following maintenance guidelines are recommended:

- Maintenance checks should be conducted before every voyage or at least every three months;
- Before checking, disconnect the equipment from the supply;
- Visually inspect the condition of the equipment;
- Any major or minor structural damage should be rectified immediately in order to reduce sympathetic wear;
- After inspection it may be necessary to clean the inside of the searchlight. The following procedure should be adhered to:
 - Remove the front bezel;
 - Clean the front glass inside and out using a proprietary glass cleaner;
 - Clean the reflector if required;
 - Ensure that the lampholder is free from corrosion or other damage;
 - Check earth point for conductivity;
- It is advisable to check all seals and gaskets for signs of degradation. Renew if necessary;
- Upon completing all maintenance requirements, the searchlight should be tested for full working order (approximately 20 minutes).

If in any doubt as to the correct servicing procedures to adopt please contact your distributor/agent or the manufacturer who will be able to advise the best course of action for your product.

9 - General Assembly

Drawing Number	Description
A2969	General Assembly drawing L560D
A2993	General Assembly drawing L560C
A2893	General Assembly drawing L560DP
A2882	General Assembly drawing L560CP



ISS. No	MODIFICATION DETAILS	DATE & INT'S
1	AS FIRST DRAWN	12.99 D.S.
2	REAR HANDLE REFS. AS OVER COVER ADDED. CABLE GLAND POSITION REVISED. ITEM REFS. REVISED. (EC087/3)	10.01 D.S. 3/9
3	DECK MOUNT MOD. (EC0941)	6.01 D.S.
4	BROUGHT INLINE WITH DETAIL (EC1012)	1.03 M.T.
5	FLANGE BEARING MOD (EC1042)	10.03 D.S.
6	FR. L/H MOD (EC1049)	10.03 D.S.
7	ELEVATION LOCK. MECH. CHANGED (EC1102)	6.05 D.S.
8	NYLON WASHERS ADDED (EC1424)	7.12 D.S.

STANDARD PRACTICE
Debur all cut/machined edges
Break corners R0.25(Max) U.O.S.

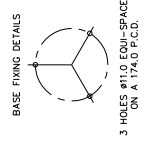
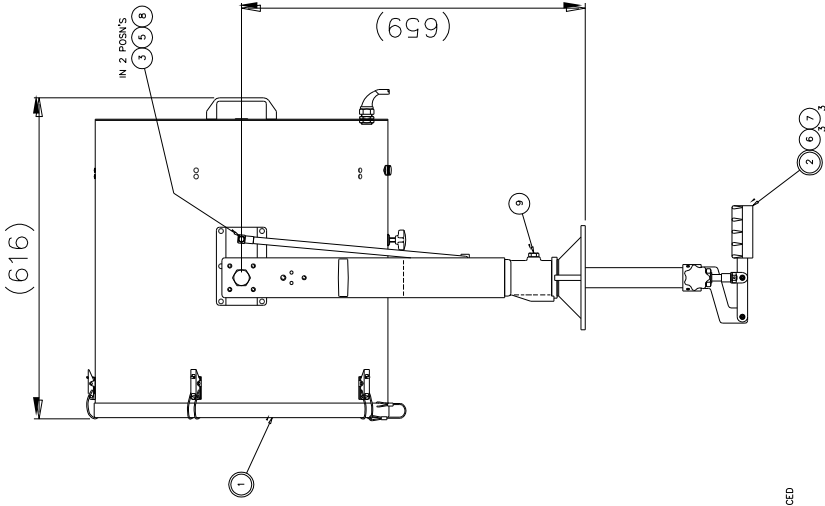
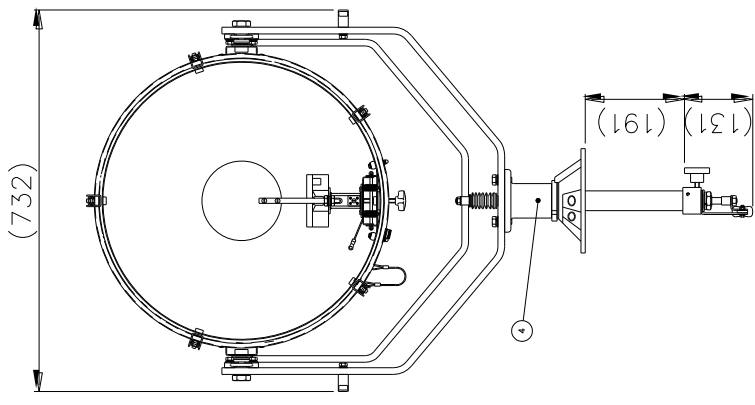


FRANCIS SEARCHLIGHTS LIMITED · UNION ROAD · BOLTON · BL2 2HU		© 1999	A2	CONT ON SHEET
DRAWN	D.S.	DATE	12.99	TOLERANCES
CHECKED	SCALE	1:5	General: ±	Angular: ±
ALL DIMENSIONS IN MILLIMETRES		MATERIAL		
Sand Casting: To ISO 8062 CT10		FINISH		
Die Casting: To ISO 8062 CT8		DESCRIPTION		
Hole centres & posns: ±		L560D G.A.		
PART No./DRG No.		A2969		
SHT		1		

DO NOT SCALE DRAWING

FIRST USED ON L560C

REV	DATE	DESCRIPTION
1		AS FIRST DRAWN
2		BRIDGEMAN AS-LINE (EC1072)
3		BRIDGEMAN AS-LINE (EC1092)



FRANCIS SEARCHLIGHTS LIMITED · UNION ROAD · BOLTON · BL2 2HJ
LITE560C G.A.

FINISH	DESCRIPTION	MATERIAL

DATE	SCALE	TOLERANCES
6.01	1:4	General: ±0.15 Angles: ±0.1

DRAWN	CHECKED	DATE	SCALE	TOLERANCES
				General: ±0.15 Angles: ±0.1

FRANCIS	SEARCHLIGHTS	LIMITED
UNION ROAD · BOLTON · BL2 2HJ		

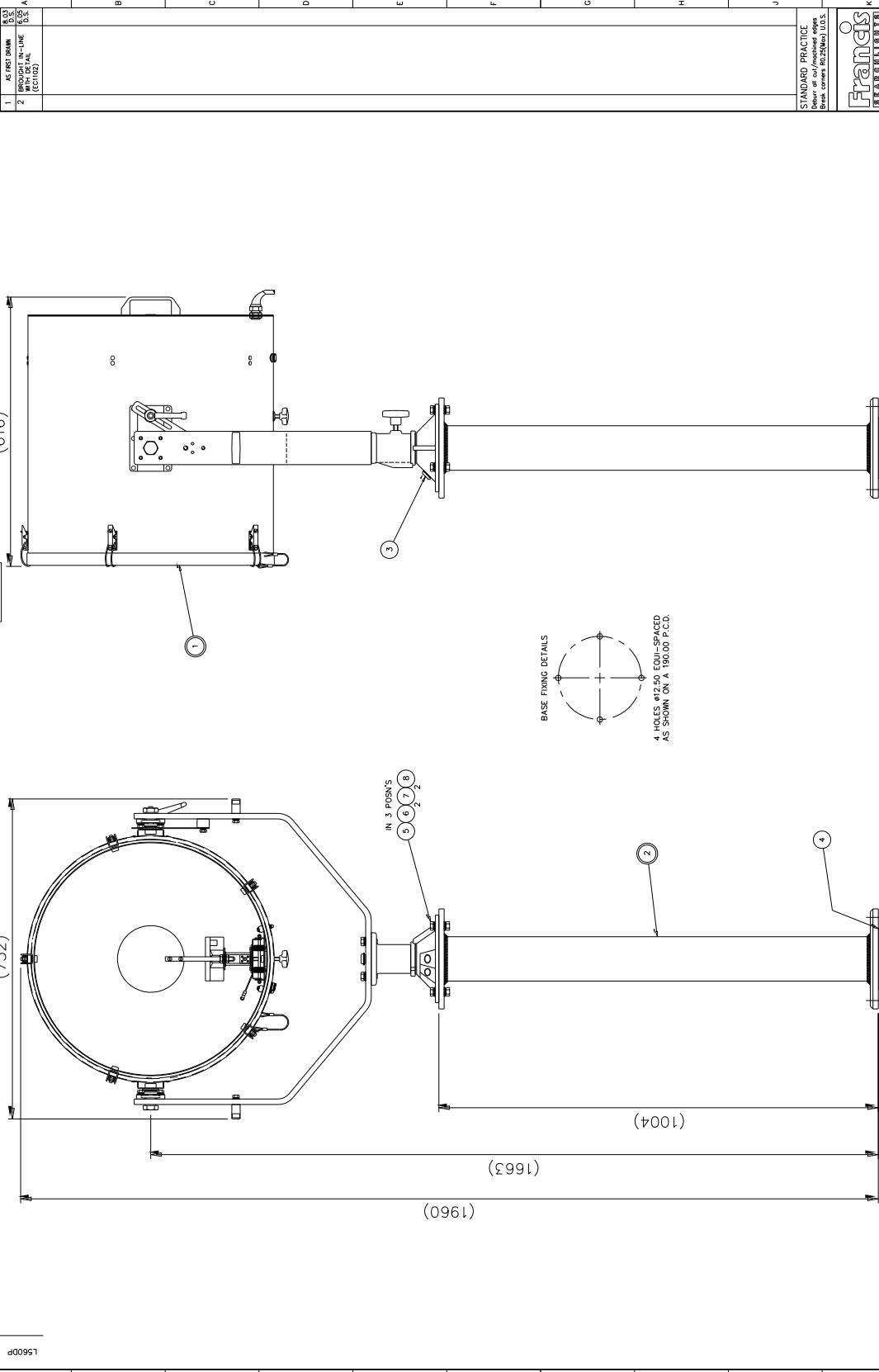
© 2001 A1 CONT ON SHEET
PART No./Dwg. No. A2993 1

STANDARD PRACTICE
Drawing of cut finished parts
Break corners R0.25(Min) U.O.S.

16 15 14 13 12 11 10 9 8 7 6 5 4 3 2 1

16 15 14 13 12 11 10 9 8 7 6 5 4 3 2 1

1	DO NOT SCALE DRAWING	2	3	4	5	6	7	8	9	10	11	12	13	14	15	16
---	----------------------	---	---	---	---	---	---	---	---	----	----	----	----	----	----	----



FIRST USED ON L5600P

THIRD ANGLE PROJECTION

INDICATION DETAILS

NO.	DESCRIPTION	DATE
1	AS FIRST DRAWN	10/03/00
2	WITH DETAIL (ECL102)	10/03/00

STANDARD PRACTICE
Detail as per/modified as per
Break corner 10:25(45) U.C.S.

© 2003 A1 CONT ON SHEET

PART No./REV. No.

SHEET A2893 1

FRANCIS SEARCHLIGHTS LIMITED · UNION ROAD · BOLTON · BL2 2HJ

LITE560DP G.A.

FINISH	DESCRIPTION

MATERIAL	DESCRIPTION

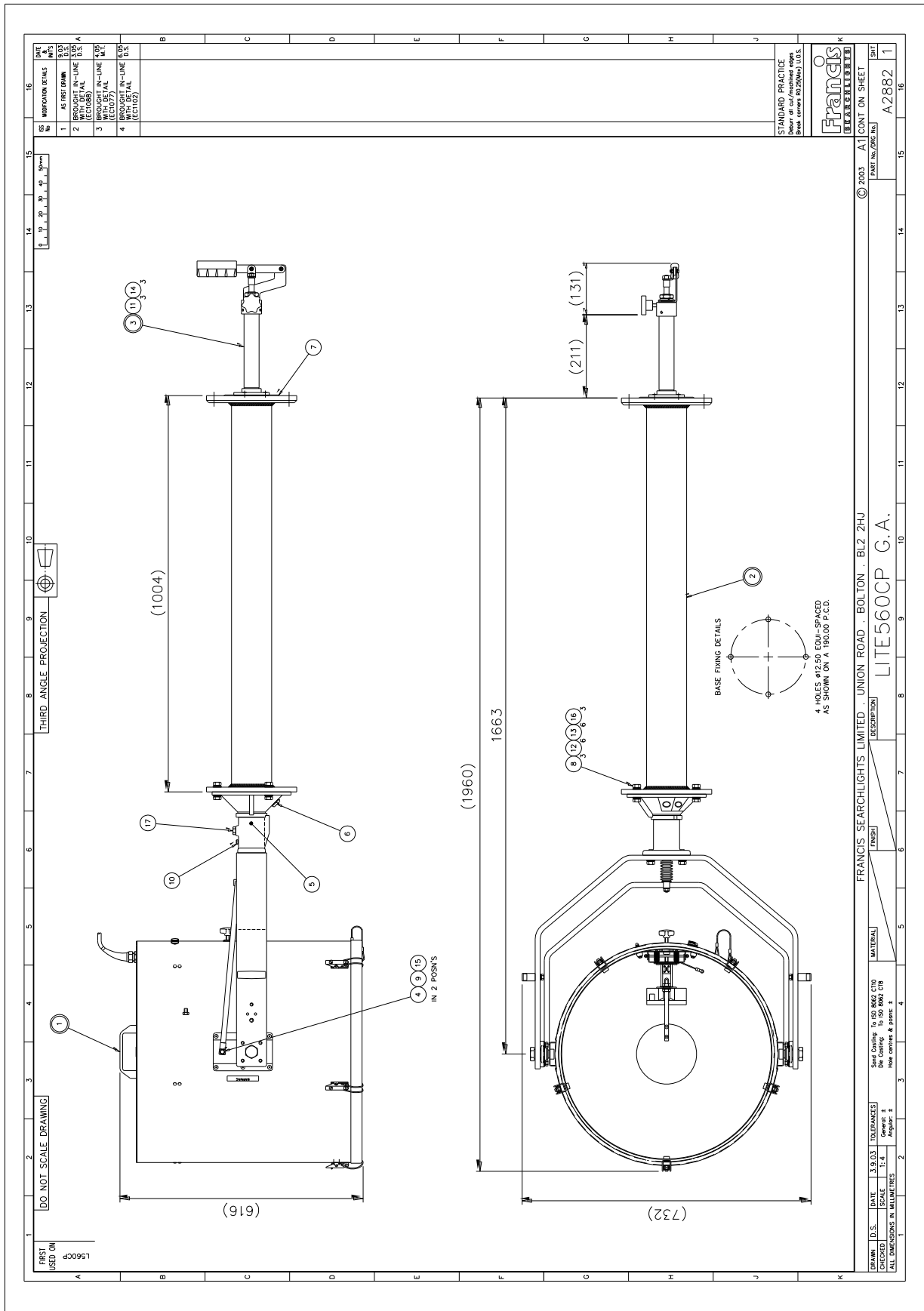
Shim Coating To ISO 8002 C10
Die Coating To ISO 8002 C18
Pore control & pores 2

DATE	D.S.	3.9.03	TOLERANCES

SCALE	1:4	GENERAL	PROJECT

ALL DIMENSIONS IN MILLIMETRES

FRANCIS



NO	DESCRIPTION	QTY	UNIT
1	AS PER DRAWING	1	D.S.
2	WITH DETAIL LINE D.S.	1	D.S.
3	WITH DETAIL LINE 4:1	1	D.S.
4	WITH DETAIL LINE 4:1	1	D.S.
5	WITH DETAIL LINE 4:1	1	D.S.
6	WITH DETAIL LINE 4:1	1	D.S.
7	WITH DETAIL LINE 4:1	1	D.S.
8	WITH DETAIL LINE 4:1	1	D.S.
9	WITH DETAIL LINE 4:1	1	D.S.
10	WITH DETAIL LINE 4:1	1	D.S.
11	WITH DETAIL LINE 4:1	1	D.S.
12	WITH DETAIL LINE 4:1	1	D.S.
13	WITH DETAIL LINE 4:1	1	D.S.
14	WITH DETAIL LINE 4:1	1	D.S.
15	WITH DETAIL LINE 4:1	1	D.S.
16	WITH DETAIL LINE 4:1	1	D.S.

NO	DESCRIPTION	QTY	UNIT
1	AS PER DRAWING	1	D.S.
2	WITH DETAIL LINE D.S.	1	D.S.
3	WITH DETAIL LINE 4:1	1	D.S.
4	WITH DETAIL LINE 4:1	1	D.S.
5	WITH DETAIL LINE 4:1	1	D.S.
6	WITH DETAIL LINE 4:1	1	D.S.
7	WITH DETAIL LINE 4:1	1	D.S.
8	WITH DETAIL LINE 4:1	1	D.S.
9	WITH DETAIL LINE 4:1	1	D.S.
10	WITH DETAIL LINE 4:1	1	D.S.
11	WITH DETAIL LINE 4:1	1	D.S.
12	WITH DETAIL LINE 4:1	1	D.S.
13	WITH DETAIL LINE 4:1	1	D.S.
14	WITH DETAIL LINE 4:1	1	D.S.
15	WITH DETAIL LINE 4:1	1	D.S.
16	WITH DETAIL LINE 4:1	1	D.S.

NO	DESCRIPTION	QTY	UNIT
1	AS PER DRAWING	1	D.S.
2	WITH DETAIL LINE D.S.	1	D.S.
3	WITH DETAIL LINE 4:1	1	D.S.
4	WITH DETAIL LINE 4:1	1	D.S.
5	WITH DETAIL LINE 4:1	1	D.S.
6	WITH DETAIL LINE 4:1	1	D.S.
7	WITH DETAIL LINE 4:1	1	D.S.
8	WITH DETAIL LINE 4:1	1	D.S.
9	WITH DETAIL LINE 4:1	1	D.S.
10	WITH DETAIL LINE 4:1	1	D.S.
11	WITH DETAIL LINE 4:1	1	D.S.
12	WITH DETAIL LINE 4:1	1	D.S.
13	WITH DETAIL LINE 4:1	1	D.S.
14	WITH DETAIL LINE 4:1	1	D.S.
15	WITH DETAIL LINE 4:1	1	D.S.
16	WITH DETAIL LINE 4:1	1	D.S.

10 - Spare Parts List

The following spare parts can be ordered directly from the manufacturer:

Part Number	Description
D1823	115v 2Kw G38 Tungsten Halogen Lamp
D4604	220v 2Kw G38 Tungsten Halogen Lamp
D1839	240v 2Kw G38 Tungsten Halogen Lamp
D9843	115v 3Kw G38 Tungsten Halogen Lamp
D22559	220v 3Kw G38 Tungsten Halogen Lamp
C20550-00	Latch
C20881-00	Front Glass
C20569-00	Front Glass Gasket
C21051-00	Reflector
C22268-01	Breather unit
C09868-00	Lampholder G38
C16761-00	A.V. mount
C20281-00	Bellows

In order to prolong the life and performance of your product, we recommend that you only specify Francis Searchlights spare parts. This will ensure that any warranties on your equipment will not be invalidated.

When ordering spare parts please contact the Sales Department at Francis Searchlights Limited. Please quote searchlight model and serial number at all times. This will enable a fast response to your spares' requirements.