



FR380RC Explorer
Issue 0. Halogen
Remote Control

APPLICATION

The NEW FRANCIS EXPLORER Range of Remote Control searchlights has been designed with the precise aim of bringing to the market, the ultimate searchlight able to guarantee high performance, strength and affordability.

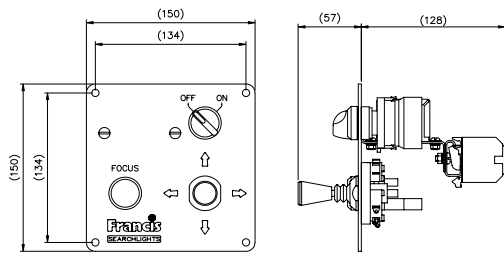
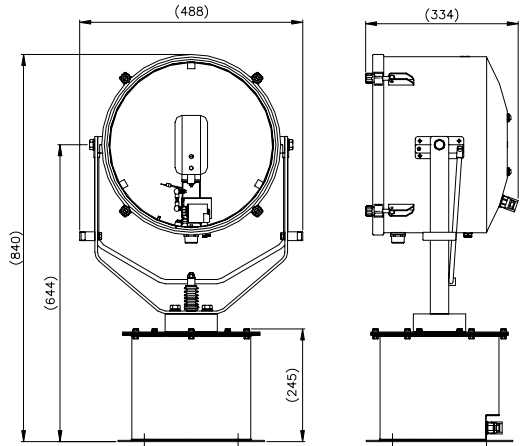
The FR380 RC Explorer has been carefully developed to withstand the extraordinary conditions while in use in the harshest of environment, such as Coast Guard patrol. The heavy duty gearbox is strong, powerful and able to operate in the rough seas and high strength winds as found in coastal areas such as Canada and Scandinavia. This unit comes with remote focus.

DESPATCH NUMBERS

Type	Supply	Despatch Number
FR380 RC	24v	A2541
FR380 RC	115/240v	A2542

SPECIFICATION

- Constructed from brass and stainless steel.
- Parabolic glass reflector.
- Stove enameled paint finish.
- Remote lamp focus adjustment.
- Toughened front glass.
- Tungsten Halogen light source.
- Searchlight and gearbox protection to IP66.
- Remote pan rotation 340°.
- Remote elevation control ±30°.
- Rotation speed 20°/sec.
- Elevation speed 5°/sec.
- Joystick control panel supplied.
- Operation temperature range -50°C.
- Heater standard in gearbox and optional in barrel.



Base fixings:
4 holes Ø12.5 on a 290 PCD

All dimensions in mm

Weight : FR380 RC Explorer- 31.6 Kgs

Performance Data * Inclusive angle

Volt's	Lamp life	Range PBCP		*Div	Watts	Lamp Cap	Dispatch Number
		(m)	x1000				
24v	300 hrs	1311	1718	2	150	GX6.35	D14795
24v	2000 hrs	1390	1932	3	250	GX6.35	D4695
24v	300 hrs	1673	2800	3	250	GX6.35	D9851
230v	750 hrs	1114	1240	5	650	GX9.5	D1813
115v	750 hrs	1249	1560	5	1000	GX9.5	D1809
230v	750 hrs	1210	1465	5	1000	GX9.5	D6715

For more information contact:

Francis Searchlights Limited
 Union Road, Bolton, BL2 2HJ, UK
 Tel 44 (0) 1204 558960 Fax 44 (0) 1204 558979
 Email sales@francis.co.uk Web site www.francis.co.uk