



FR560 Issue 4
Tungsten Halogen
Manual operation

APPLICATION

The FRANCIS FR PREMIUM range of searchlights incorporate the design features required to successfully operate searchlights in the most demanding product operating environments on land and sea. These units are suitable where higher levels of illumination are required such as large vessels, security installations and general "wide" area illumination.

PART NUMBERS

Type	Supply	L/holder	Part Number
FR560 Deck	110/240v	GX9.5	A2886
FR560 Cabin	110/240v	GX9.5	A2888
FR560 Deck Ped.	110/240v	GX9.5	A2885
FR560 Cabin Ped.	110/240v	GX9.5	A2887
FR560 Deck	110/240v	G38	A2890
FR560 Cabin	110/240v	G38	A2892
FR560 Deck Ped.	110/240v	G38	A2889
FR560 Cabin Ped.	110/240v	G38	A2891

SPECIFICATION

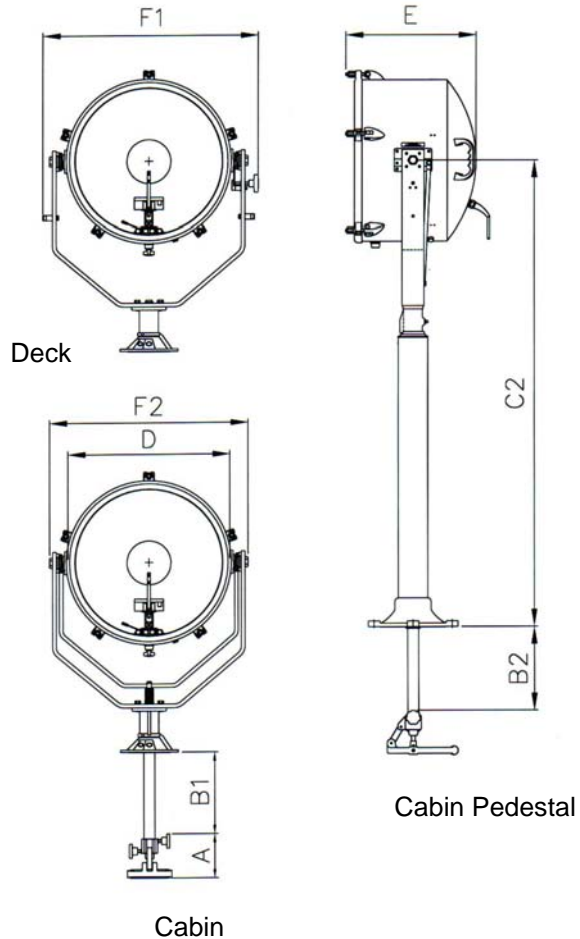
- All brass construction.
- Parabolic glass reflector.
- Stove enamel painted.
- External lamp focus adjustment.
- Toughened front glass.
- Captive bezel / glass.
- Light shield to prevent unwanted glare & stray light.
- Tungsten Halogen lamps.
- Enclosure protection to IP 56
- Special "B" & "C" dimensions available on request.
- Full 450° rotation.
- Vertical movement +10° to - 25°.

Performance Data * Inclusive angle

Dimensions

Volts	Lamp Life hrs	Range (m)	PBCP x1000	*Div	Watts	Lamp Cap	Lamp Part Number
115v	750	1550	2450	5	1000	GX9.5	D1809
115v	400	2030	3900	5.5	2000	G38	D1823
230v	750	1550	2450	5	1000	GX9.5	D6715
220v	400	2030	3900	5.5	2000	G38	D4604
240v	400	2030	3900	5.5	2000	G38	D1839

Francis Searchlights Limited
 Union Road, Bolton, BL2 2HJ, UK
 Tel 44 (0) 1204 558960 Fax 44 (0) 1204 558979
 Email sales@francis.co.uk Web site www.francis.co.uk



All dimensions in Millimetres

Base fixings

Deck & Cabin. 3 holes Ø11 on a 174 PCD
 Deck ped. & Cabin Ped 4 holes Ø14.5 on a 270 PCD
 Cabin & Cabin Ped. Central hole Ø52

Weights

Deck	Cabin	Deck Pedestal	Cabin Pedestal
42.6 Kg	52.6 Kg	45.5 Kg	76.2 Kg

For more information contact: