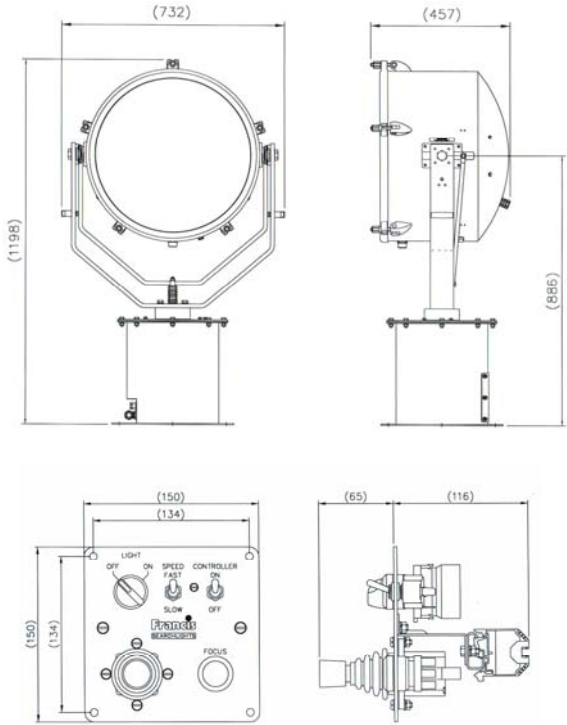


**FR560RC Issue 5
Tungsten Halogen
Variable Remote Control**



APPLICATION

The new FRANCIS FR PREMIUM range of variable speed Remote Controlled Searchlights incorporate the design features required to successfully operate searchlights in the most demanding product operating environments on land and sea. Francis Searchlights have redesigned and improved the remote controlled halogen Searchlight still further by adding full variable speed as a standard option at no extra cost. The FR560RC has excellent illumination characteristics, a powerful, focusable beam and is suitable for use on larger commercial vessels and as a bridge wing projector.

PART NUMBERS

| Type | Supply | L/holder | Part |
|-------------|----------|----------|-------|
| FR560RC 1Kw | 115/240v | GX9.5 | A2474 |
| FR560RC 2Kw | 115/240v | G38 | A2470 |

SPECIFICATION

- Lamp life 400 hours 2Kw – 750 hours 1Kw.
- Constructed from marine grade materials and fixings.
- Parabolic form, polished glass, lead backed mirror.
- Toughened front glass.
- Stove enamel paint finish.
- Sealing to IP66 Gearbox – IP56 Searchlight.
- Tungsten Halogen light source.
- Remote focus fitted as standard.
- Variable speed joystick control panel supplied
- Variable Rotation Speed 1 to 20°/sec (Pan)
- Variable Elevation Speed 1 to 10°/sec (Tilt).
- Remote elevation control ±25° - Pan rotation 385°.
- Operational temperature -20°C.
- Heaters can be installed to allow operation to -50°C.

All dimensions in Millimeters

BASE FIXING DETAILS:
4 HOLES 12.5 DIA EQUI-SPACED
ON A 350mm PCD

Weight 60 Kg

PERFORMANCE DATA

* inclusive angle

| Volts | Range (m) | PBCP x1000 | Div* | Watts | Lamp Cap | Lamp Part Number |
|-------|-----------|------------|------|-------|----------|------------------|
| 115v | 1550 | 2450 | 5 | 1000 | GX9.5 | D1809 |
| 115v | 2030 | 3900 | 5.5 | 2000 | G38 | D1823 |
| 220v | 1550 | 2450 | 5 | 1000 | GX9.5 | D6715 |
| 220v | 2030 | 3900 | 5.5 | 2000 | G38 | D4604 |
| 240v | 1550 | 2450 | 5 | 1000 | GX9.5 | D1814 |
| 240v | 2030 | 3900 | 5.5 | 2000 | G38 | D1839 |

Francis Searchlights Limited
Union Road, Bolton, BL2 2HJ, UK
Tel 44 (0) 1204 558960 Fax 44 (0) 1204 558979
Email sales@francis.co.uk Web site www.francis.co.uk

For more information contact: