

## FSP127 Issue 3 Hand Held Signalling Lantern - SOLAS

### APPLICATION

**The FRANCIS FSP 127 (MKV) signalling lantern fulfils the requirements of the SOLAS (1997) Regulations**, which states that "all ships of over 150 tons gross tonnage, when engaged on International voyages, shall have onboard an efficient daylight signalling lamp which shall not be solely dependant upon the ship's main source of electrical power."

The 127mm (5") handheld signalling light can be used on all vessels, for ship to ship signalling using Morse Code.

The light is of aluminium, lightweight construction and is fully waterproofed. If desired this unit can be used as a spotlight if the signalling trigger and lamp switch are both left on.

The Francis Signalling Lantern is approved by the UK Maritime & Coastguard Agency (MCA.)

### SPECIFICATION

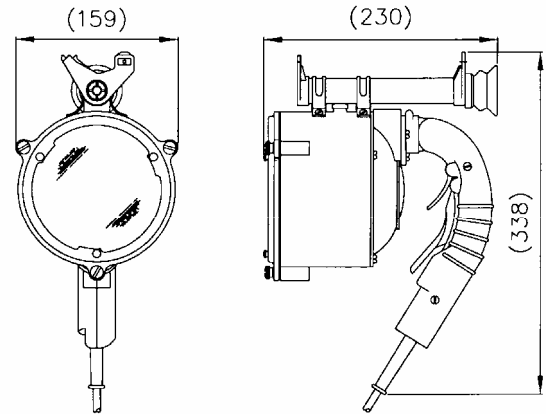
- Capable of maximum daylight signalling range of 8 miles.
- Beam divergence of 5°.
- Transmission rate of 12 words per minute can be achieved.
- Light reduction & coloured filters provide control of light output as required.
- 5.5 metres of supply cable fitted as standard.
- All aluminium construction fitted with a super purity aluminium parabolic reflector.
- Tubular and V sights are fitted as standard.
- Handle mounted switch to operate the lantern.
- Signals made by triggering the tubular shutter which interrupts the light from the reflector.
- Semi gloss black stoved enamel paint finish.

Product	Type	Despatch No.
FSP127	Commercial	A4023
FSP127	MoD	A4021

**Weight** 2.2 Kg

\*\* As per SOLAS requirements, each lantern should be supplied with 3 spare lamps & portable battery pack. \*\*

**Francis Searchlights Limited**  
 Union Road, Bolton, BL2 2HJ, UK  
 Tel 44 (0) 1204 558960 Fax 44 (0) 1204 558979  
 Email sales@francis.co.uk Web site www.francis.co.uk

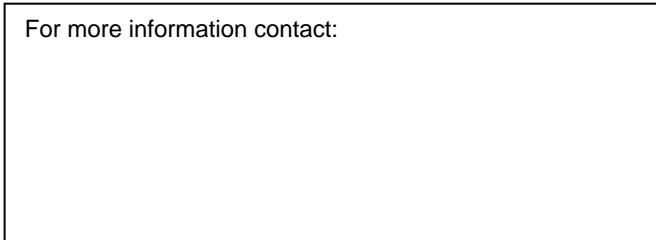


All Dimensions in Millimeters

### Available accessories :-

Description	Despatch No.	Weight
11v 60w Lamp	D1721	
24v 60w Lamp	D1754	
Carrying Case (Wood)	C01424-00	3.5 Kg
Stowage Box (Aluminium)	A4025	7.5 Kg
12v Battery in case	C20175-01	5.8 Kg
24v Battery in case	C20177-01	5.8 Kg
110v-12v Battery Charger	C20169-01	1.3 Kg
110v-24v Battery Charger	C20170-01	1.3 Kg
240v-12v Battery Charger	C20171-01	1.3 Kg
240v-24v Battery Charger	C20172-01	1.3 Kg
Light Reduction Screen	C03194-01	
Red Filter	C05971-01	
Green Filter	C05973-01	
Blue Filter	C09901-01	
3 Pin Plug	C02682-00	
3 Pin Socket & Cap	C02681-00	
Transformer Unit		
115v/230v in 12v/24v out	C20189-00	

For more information contact:



**BATTERY**

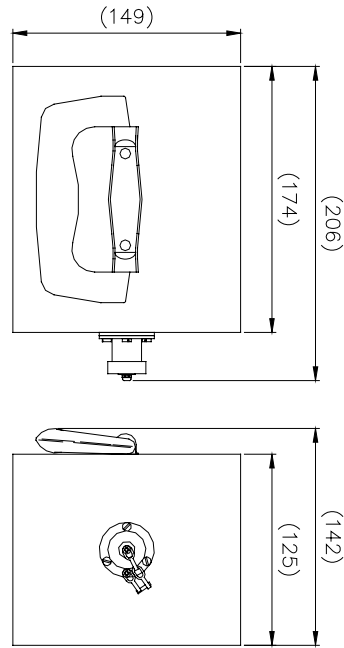


**FSP127 Accessories**

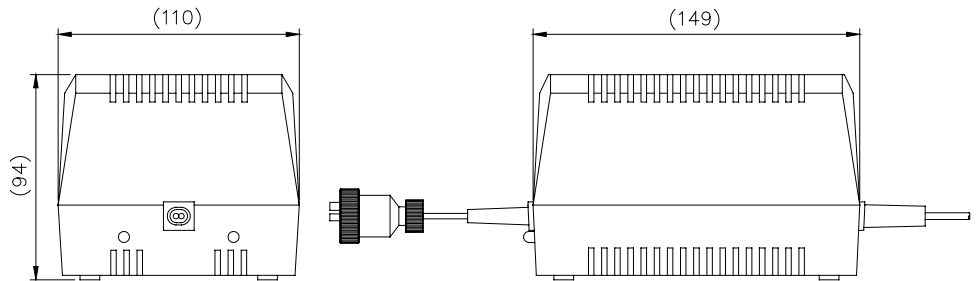


- C20174-01 12v Battery in Case 2 Pin - MoD
- C20175-01 12v Battery in Case 3 Pin - Commercial
- C20176-01 24v Battery in Case 2 Pin - MoD
- C20177-01 24v Battery in Case 3 Pin - Commercial

Weight 5.8Kg.  
 Battery 12 volt 7 amp hour.  
 Battery Life (12v) 80 minutes continuous use.  
 Battery Life (24v) 115 minutes continuous use.  
 Battery Life (12/24V) 2 Hours (signalling).  
 Valve Regulated Lead Acid Battery.  
 Available with 2 or 3 Pin Sockets.  
 Transport Safety Document – Request from Sales QATO2-B  
 Solas Approved



**CHARGER**



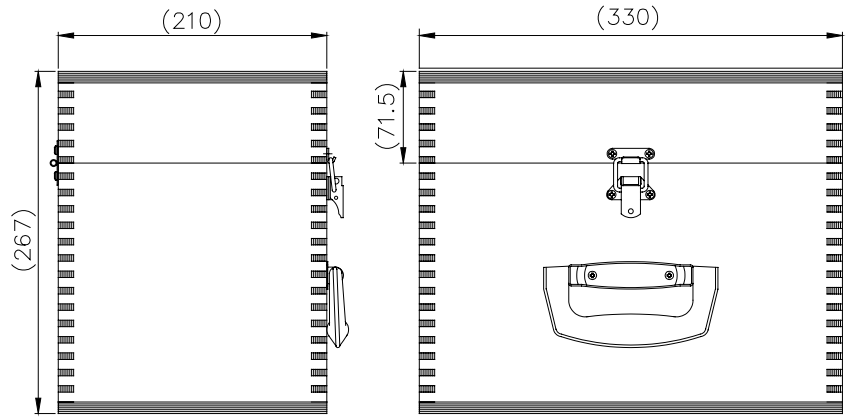
- C20169-01 110v-12v Battery Charger 3 Pin - Commercial
- C20170-01 110v-24v Battery Charger 3 Pin - Commercial
- C20171-01 240v-12v Battery Charger 3 Pin - Commercial
- C20172-01 240v-24v Battery Charger 3 Pin - Commercial
- C21998-01 110v-12v Battery Charger 2 Pin - MoD
- C21999-01 110v-24v Battery Charger 2 Pin - MoD
- C22000-01 240v-12v Battery Charger 2 Pin - MoD
- C22001-01 240v-24v Battery Charger 2 Pin - MoD

Weight 1.9Kg  
 Charge Rate :-  
 12v 13.1/14.3 vdc @ 1 / 2amp  
 24v 27.4/29 vdc @ 2 amp

**Francis Searchlights Limited**  
 Union Road, Bolton, BL2 2HJ, UK  
 Tel 44 (0) 1204 558960 Fax 44 (0) 1204 558979  
 Email [sales@francis.co.uk](mailto:sales@francis.co.uk) Web site [www.francis.co.uk](http://www.francis.co.uk)

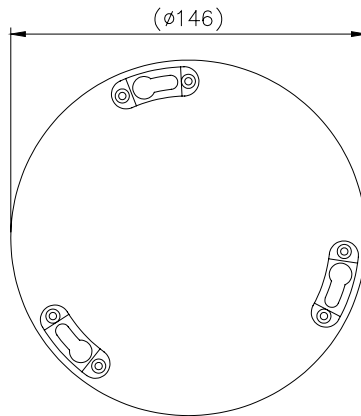
For more information contact:

**CARRYING CASE**



C01424-00 Carrying Case  
Weight 3.3Kg

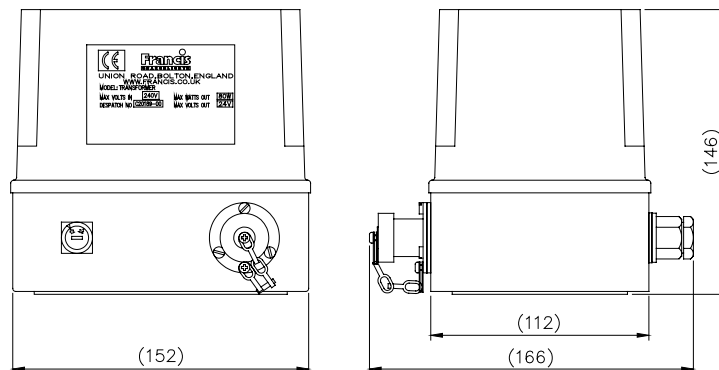
**FILTERS**



C05971-01 Red Filter Disc Assembly  
C05973-01 Green Filter Disc Assembly  
C09901-01 Blue Filter Disc Assembly  
C21728-01 Yellow Filter Disc Assembly  
C23433-01 Amber Filter Disc Assembly  
C03194-01 Light Reduction Screen Assembly

Weight 103g  
Weight 103g  
Weight 103g  
Weight 103g  
Weight 103g  
Weight 141g

**TRANSFORMER**



C20189-01 Step Down Transformer Unit 115v/230v in 12/24v out 3 Pin Weight 2Kg  
C23619-01 Step Down Transformer Unit 115v/230v in 12/24v out 2 Pin Weight 2Kg

**Francis Searchlights Limited**  
Union Road, Bolton, BL2 2HJ, UK  
Tel 44 (0) 1204 558960 Fax 44 (0) 1204 558979  
Email [sales@francis.co.uk](mailto:sales@francis.co.uk) Web site [www.francis.co.uk](http://www.francis.co.uk)

For more information contact:

**COMMERCIAL**



Plug 26mm diameter x 41mm Long (Including Pins)  
Socket 36mm diameter x 32mm Long (Including Gasket & Cap)

Chrome Plated Brass Connector with Sealing Ring and Cap.  
C02682-00 3 Pin Plug 5amp                      Weight 42g  
C02681-00 3 Pin Socket & Cap 5amp      Weight 56g

**MOD**



Plug 22mm A/F x 54mm Long (Including Pins)  
Socket 41mm diameter x 33mm Long (Including Gasket & Cap)

Nickel Plated Brass Connector with Sealing Ring and Cap  
C03012-01 2 Pin Plug 5amp                      Weight 43g  
C03599-01 2 Pin Socket & Cap 5amp      Weight 69g

For more information contact: