



FSP250 Issue 6
Tungsten Halogen
Signalling – 250mm

APPLICATION

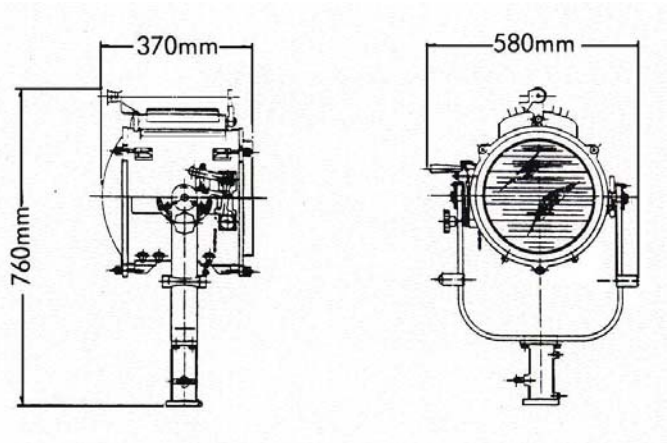
The FRANCIS FSP250 Signalling Searchlight incorporates the features required to successfully operate searchlights in the most demanding product operating environments on land and sea. The 250mm (10") pedestal or bridge wing mounted light is used on medium and large craft for ship to ship and ship to shore signalling using the morse code or similar signalling code. The light is all brass, anti-magnetic construction and is fully weatherproof. The light shutter can be locked to allow its use as a searchlight.

SPECIFICATION

- 250mm Signalling Projector.
- Weatherproof (IP56).
- Signaling range minimum ; 10 miles (daylight).
- Signaling Speed; 12 words per minute.
- Lamp Type; 115v, 1000w tungsten halogen or 220v/230v
- 1000w tungsten halogen.
- Lamp Life; 240v 200 hours, 115v 250 hours
- Divergence; 6
- Elevation; 60
- Depression 45

ACCESSORIES

	NSN	Part No.
Pedestal	0570/5895 99 301 4711	C03323-01
Lamps 115v		D24418
Lamps 220v		D24415
Waterproof cover		C02040-00



All dimensions in Millimeters

LIGHT

Products	Mtg		Despatch No.
FSP250	D	FRANCIS NSN	A4047 0558/5850-99-799-7340

WEIGHT: 33 KG

For more information contact:

Francis Searchlights Limited
 Union Road, Bolton, BL2 2HJ, UK
 Tel 44 (0) 1204 558960 Fax 44 (0) 1204 558979
 Email sales@francis.co.uk Web site www.francis.co.uk