



**FX380RC Issue 5
Xenon 500w Remote
Control, Variable Speed**

APPLICATION

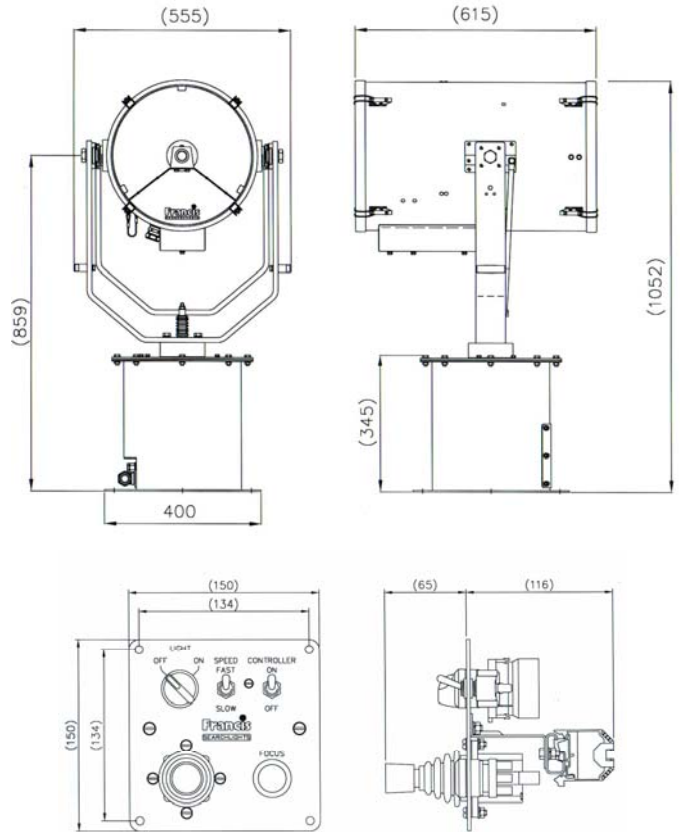
The new FRANCIS FX Premium range of variable speed Remote Controlled Searchlights incorporate the design features required to successfully operate searchlights in the most demanding product operating environments on land and sea.

Francis Searchlights have redesigned and improved the remote controlled Xenon Searchlight still further by adding full variable speed as a standard option at no extra cost.

With the "colour temperature" of the Xenon lamp being equal to that of "sunlight" the searchlight is ideal for spotting dangers to navigation in the Polar Regions, such as low-lying icebergs. Other potential hazards, such as debris and small craft, are easily spotted at long range allowing sufficient time for action to be taken.

SPECIFICATION

- Immediate full lamp brilliance from switch on.
- Instant re-strike. No "cooling" down time required.
- Toughened front glass.
- Parabolic glass reflector
- Economical 2500 hour lamp life. Lamp Part No D20322
- Constructed from marine grade materials & fixings.
- Stove enamel paint finish.
- Remote pan rotation 385°.
- Remote elevation control $\pm 25^\circ$.
- Variable speed joystick control panel supplied
- Variable Rotation Speed 1 to 20°/sec (Pan)
- Variable Elevation Speed 1 to 10°/sec (Tilt).
- Operational temperature -50°C.
- Adjustable lamp focus, 1.5° spot to 10° flood.
- Remote focus fitted as standard.
- Well proven and reliable power supply unit suitable for 50/60 Hz 1ph power supplies.
- Sealing - IP66 Gearbox, IP56 Searchlight, IP20 PSU
- **Searchlight weight** 53 kgs.
- **Power supply weight** 7.7 kgs .
- **Range** 5290 metres.
- **Peak Beam Candle Power** 28 million



All dimensions in Millimetres

BASE FIXING DETAILS:
4 HOLES 12.5 DIA EQUI-SPACED
ON A 350mm PCD

PSU dimensions : 335 X 260 X 135mm
Fixings : 236 X 208mm

Part Numbers

Type	Supply	Watts	Part No
FX380RC	240v	500w	A2456
FX380RC	115v	500w	A2458

For more information contact:

Francis Searchlights Limited
Union Road, Bolton, BL2 2HJ, UK
Tel 44 (0) 1204 558960 Fax 44 (0) 1204 558979
Email sales@francis.co.uk Web site www.francis.co.uk