



**FX560 1 kw Issue 3
Xenon
Manual Control.**

APPLICATION

The **FRANCIS FX Premium** range of Xenon searchlights have been designed specifically for the purpose of long range identification either on land or sea.

In particular the FX560mm, fitted with a 1000w Xenon light source, has the power to illuminate a target from a distance of over 9 Km thus reducing the risk to both crew and vessel during potential dangerous operations.

Incorporating manual zoom focus control from within the wheelhouse the beam can be widened to illuminate vast expanses of coastline and open seas.

Suitable applications: -

Coastguard and Coastal Defence – Search & Rescue – Ship identification and tracking – Harbour patrol.
Border security – Beach craft landing illumination- Security – Illegal smuggling and immigration – Offshore installations.

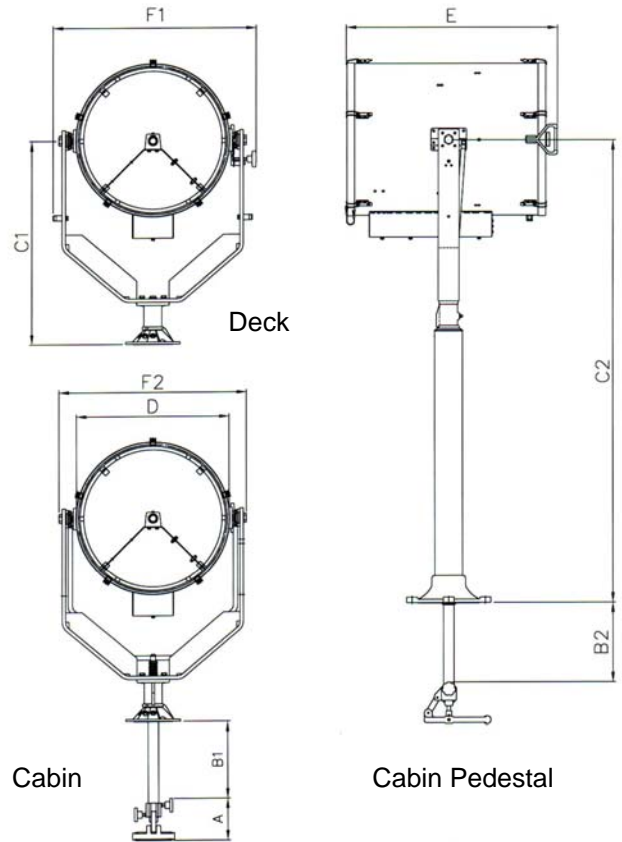
SPECIFICATION:

- Immediate full lamp brilliance from switch on.
- Instant re-strike. No “cooling” down time required
- Internal cooling fans fitted
- Toughened front glass.
- Parabolic glass reflector.
- Economical 3000 hour lamp life. Lamp Part No D21229
- Constructed from marine grade materials & fixings.
- Stove enamel paint finish.
- Full 450° horizontal rotation.
- Vertical movement +40° to -20°.
- Operational temperature -50°C.
- Adjustable lamp focus, 1.5° spot to 10° flood.
- Electric (zoom) focus fitted as an option.
- Special “B” & “C” dimensions available on request.
- Well proven and reliable power supply unit suitable for 50 or 60 Hz 1ph power supplies.
- Sealing - IP56 Searchlight, IP20 PSU.
- PSU Weight 56 Kgs. Searchlight approx. 52kgs

Part Numbers:

A2212	FX560 Deck	110/120v	A2213	FX560 Deck 220/240v
A2214	FX560 Cabin	110/120v	A2215	FX560 Cabin 220/240v
A2217	FX560 Deck ped	110/120v	A2243	FX560 Deck ped 220/240v
A2244	FX560 Cabin ped	110/120v	A2245	FX560 Cabin ped 220/240v

Type	Watts	Range @ 1Lux	P.B.C.P.	Divergence
FX560	1000w	9,003 metres	81,000,000	1.5



Base fixing details

3 holes $\varnothing 11.0$ on a 174.0 PCD. Central hole $\varnothing 52.0$

Searchlight Dimensions

A	B	B2	C1	C2	D	E	F1	F2
154	283	292	749	1710	560	778	745	688

Power supply dimensions & fixing details

600 X 273 x 245 & 450 x 180.

All dimensions in millimetres.

For more information contact:

Francis Searchlights Limited
Union Road, Bolton, BL2 2HJ, UK
Tel 44 (0) 1204 558960 Fax 44 (0) 1204 558979
Email sales@francis.co.uk Web site www.francis.co.uk