

L480RC Issue 5
Tungsten Halogen Remote
Control, Variable Speed

APPLICATION

The FRANCIS Lite range of variable speed Remote Controlled Searchlights incorporate the design features required to successfully operate searchlights in the most demanding product operating environments on land and sea.

The L480RC has excellent illumination characteristics, a powerful, externally focusable beam and is suitable for use in a wide variety of applications.

At sea the searchlight can be fitted to a variety of vessels to aid navigation and detect other water borne craft.

On land the searchlight is ideally suited for use in sensitive security applications such as Watchtowers and Security Posts.

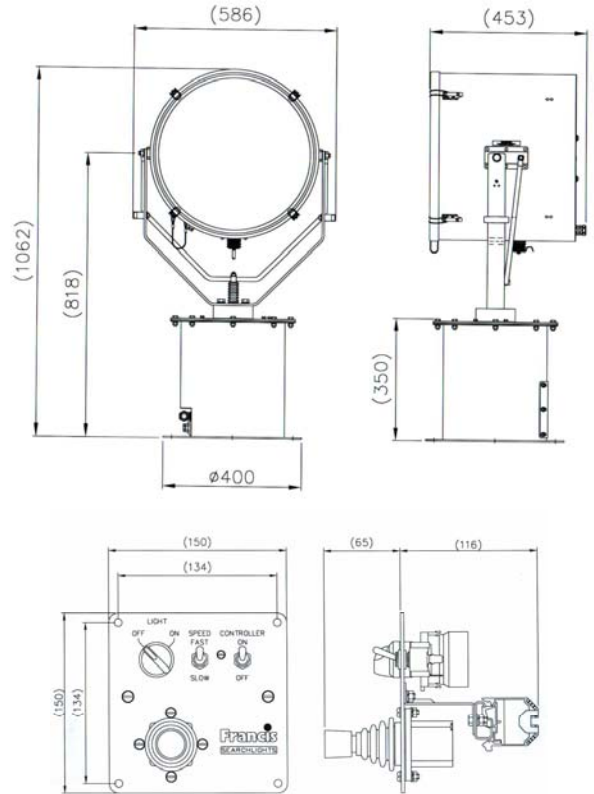
PART NUMBERS

Type	Supply	Lamp cap	Part No.
L480	115/ 240v	GY16	A2500
L480	115/ 240v	GX9.5	A2497

SPECIFICATION

- Lamp life ranging from 400 hrs to 750 hrs.
- Constructed from marine grade materials and fixings.
- Powder coated / Stove enamel paint finish.
- Toughened front glass.
- Sealing to IP66.
- Parabolic form, aluminium reflector.
- Remote elevation control $\pm 20^\circ$. Remote pan rotation 385° .
- Full variable speed gearbox 1 - $20^\circ/\text{sec}$ (Pan) 1 - $10^\circ/\text{sec}$ (Tilt).
- Supplied with variable speed joystick control
- Tungsten halogen light source.
- Weight 43 Kgs.
- Operation ambient temperature range -20°C .
- Optional barrel heater available to -50°C .

Francis Searchlights Limited
 Union Road, Bolton, BL2 2HJ, UK
 Tel 44 (0) 1204 558960 Fax 44 (0) 1204 558979
 Email sales@francis.co.uk Web site www.francis.co.uk



PERFORMANCE DATA *inclusive angle

Volts	Range Metres	PBCP x1000	Div *	Watts	Lamp Cap	Lamp No
120v	1533	2351	6.5	2000	GY16	D20390
230v	1643	2701	6.5	2000	GY16	D20236
120v	1440	2073	4.5	1000	GX9.5	D1809
230v	1441	2078	4.5	1000	GX9.5	D6715

All Dimensions in Millimetres

Base fixing details :-
 4 holes $\varnothing 12.5$ equi-spaced on a 350.0 P.C.D.

For more information contact: