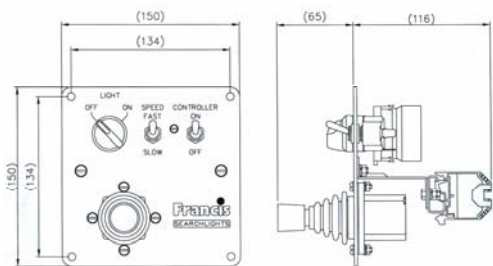
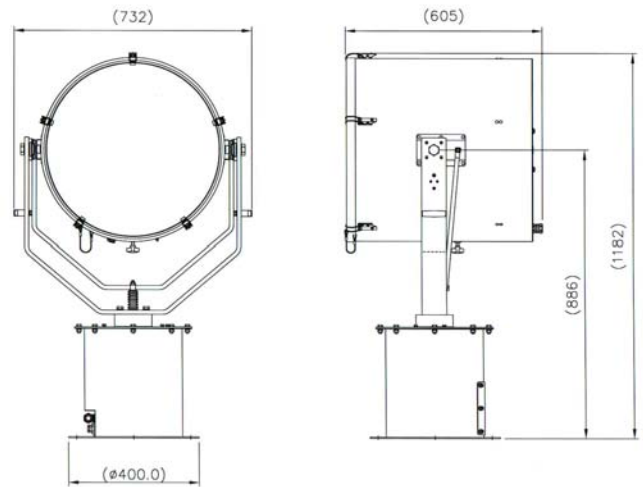


**L560RC Issue 4**  
**Halogen Remote Control,**  
**Variable Speed**



**APPLICATION**

The new FRANCIS Lite range of variable speed Remote Controlled Searchlights incorporate the design features required to successfully operate searchlights in the most demanding product operating environments on land and sea. The L560RC has excellent illumination characteristics, a powerful, externally focusable beam and is suitable for use in a wide variety of applications. At sea the searchlight can be fitted to a variety of vessels to aid navigation and detect other water borne craft. On land the searchlight is ideally suited for use in sensitive security applications such as Watchtowers and Security Posts.

**PART NUMBERS**

Type	Supply	Part Number
L560RC	115/240v	A2651

**SPECIFICATION**

- Constructed from marine grade materials and fixings.
- Powder coated / Stove enamel paint finish.
- Toughened front glass.
- Sealing to IP66.
- Parabolic form, aluminium reflector.
- Remote elevation control ±20°.
- Remote pan rotation 385°.
- Full variable speed gearbox 1 - 20°/sec (Pan) 1 - 10°/sec Tilt).
- Supplied with variable speed joystick control.
- Tungsten halogen light source.
- Operation ambient temperature range -20°C.

**All dimensions in Millimetres**

Base fixing details :-

4 holes Ø12.5 equi-spaced on a 350.0 P.C.D.

Weight 44 Kgs

**PERFORMANCE DATA**

\* Inclusive angle

Volt's	Lamp life	Range (m)	PBCP x1000	*Div	Watts	Lamp Cap	Lamp Part Number
115v	400 hrs	2450	4850	6.3	3000	G38	D9843
220/240v	400 hrs	2450	4850	6.3	3000	G38	D22559
115v	400 hrs	2030	3900	4.8	2000	G38	D1823
220/240v	400 hrs	2030	3900	4.8	2000	G38	D4604

For more information contact:

**Francis Searchlights Limited**  
 Union Road, Bolton, BL2 2HJ, UK  
 Tel 44 (0) 1204 558960 Fax 44 (0) 1204 558979  
 Email sales@francis.co.uk Web site www.francis.co.uk