



LH230 Issue 1
Metal Halide 250w
Architectural

APPLICATION

This new Francis luminaire is an ideal substitute where floodlights are unable to provide the throw required to highlight certain architectural features.

Whether to be used as an uplight or downlight, this product has many uses in the illumination of buildings, statues, spires and garden features.

These high quality units are also available for use with this 150w and 70w lamps.

The searchlights can also be used in conjunction with a reeded glass in order to collimate the light, thus providing a uniform floodlit effect.

This new development provides a 300% increase in performance over the previous model offered and is easily maintained, having removable spill rings and ease of lamp replacement.

PART NUMBERS

Type	Supply	Part Number
LH230 Searchlight	240v	
Control Gear Assy	240v	

SPECIFICATION

- Constructed from 304 stainless steel. Standard paint
- finish is satin black.
- Parabolic formed deep dish aluminium reflector.
- Powder coated finish.
- External lamp focus adjustment.
- Toughened front glass.
- Spill rings to prevent unwanted glare & stray light.
- Axially mounted Metal Halide light source.
- Sealing to IP66.
- Supplied with stainless steel security bracket and safety cable.

Weight

LH230	9.40 Kg
Control Gear Assy	4.0 Kg

Fixing Details

2 holes \varnothing 12.50mm at 70mm centres

Performance Data

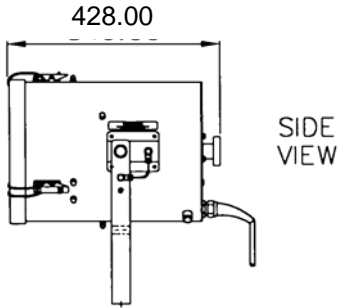
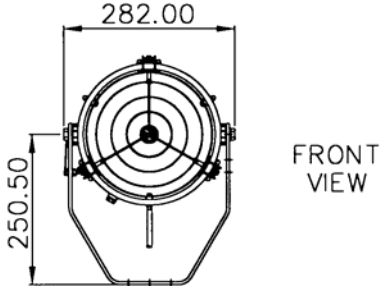
Lamp Source	Lamp Life hrs	PBCP	Divergence	Lamp Part Number
250w	12,000	2,065,196	4° to 8°	

Useful Information (based on divergence at 5°)

At 25m, provides beam diameter of 2.18m @ 3304 lux
 At 50m, provides beam diameter of 4.36m @ 826 lux
 At 100m, provides beam diameter of 8.73m @ 207 lux

Range to 1 lux is 1437m

Francis Searchlights Limited
 Union Road, Bolton, BL2 2HJ, UK
 Tel 44 (0) 1204 558960 Fax 44 (0) 1204 558979
 Email sales@francis.co.uk Web site www.francis.co.uk



For more information please contact your local Agent/Distributor: