



- 12v or 24v lamps.
- 180mm (7") diameter light unit.
- Horizontal and vertical movement.
- Supplied as standard with 9.2m of cable.

Specifications

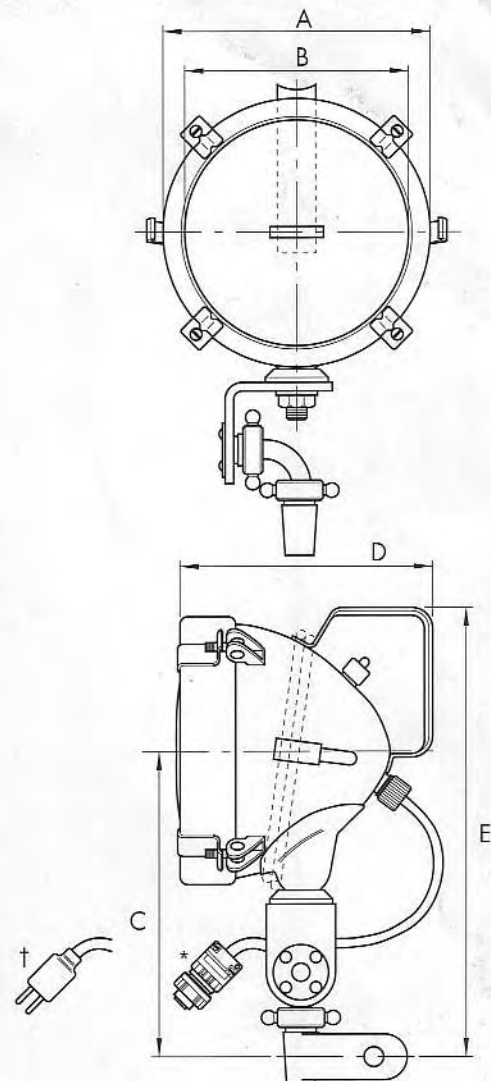
- The bracket mounted spotlights are fitted with a metal and glass 180mm (7") diameter light unit with replaceable lamps and are waterproof in accordance with FV2051 specifications.
- The 1419 series spotlight can be fitted with either 12v or 24v lamps.
- The spotlight body is fitted with an on/off switch and a bracket type handle to permit horizontal and vertical movement.
- The mounting bracket has a 14mm clearance hole for bolting the spotlight to the vehicle.
- Supplied as standard with 9.2m of cable entering rear of body through a standard military approved sealing cone and coupling nut.
- Pre-treatment and paint finish in accordance with MVEE 666 specification.
- Standard paint finish BS381c colour No. 224 deep bronze green.
- Weight 4kgs.

Dimensions

A	B	C	D	E	Weight
∅ 201	∅ 175	228	185	337	4Kg

All dimensions in millimetres

1419 Series Spotlights



Product Information

Model	FV N ^o .	N ^o .	Mk.	NSN 6MT3-6220-99-	Lamp Volts (if fitted)	Watts	Lamp Cap Type	Plug Type	Francis Despatch N ^o .
1419-A	157932	1	1	803-2278	26	50/50	} BPF P36d Tungsten	†2 Pin Flat Plug	B7875
1419-B	157932	1	1	803-2278	12	44/38		†2 Pin Flat Plug	B7876
1419-D	157932	1	1	803-2278	None	None		†2 Pin Flat Plug	B7240
1419-F	603972	1	2	804-5108	26	50/50	} BPF P36d Tungsten	*4 Pin MS Plug	B7241
1419-G	603972	1	2	804-5108	12	44/38		*4 Pin MS Plug	B7879
1419-H	603972	1	2	804-5108	None	None		*4 Pin MS Plug	B7880
1419-J	622722	1	3	835-0429	24	70	} H1 Halogen	†2 Pin Flat Plug	B7250
1419-K	622722	1	3	835-0429	12	55		†2 Pin Flat Plug	B7881
1419-L	706651	1	4	835-0428	24	70	} H1 Halogen	*4 Pin MS Plug	B7251
1419-M	706651	1	4	835-0438	12	55		*4 Pin MS Plug	B7882