



APPLICATION

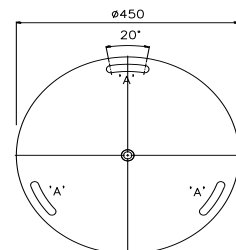
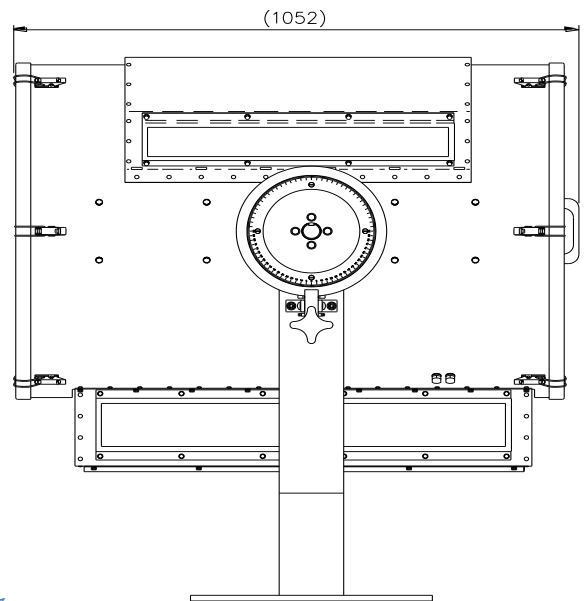
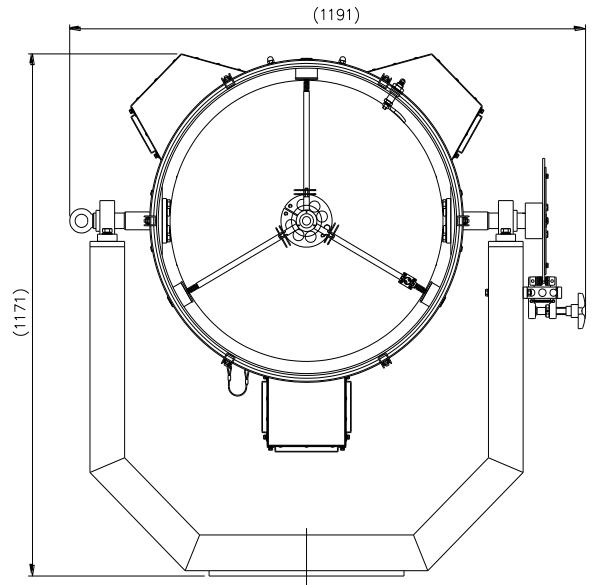
The Moonraker searchlight has been designed specifically to serve as a long distance manually operated architectural searchlight. Great emphasis has been placed on the exceptional photometric performance, sharp collimated beam, extreme rugged construction and low maintenance. Used in extended hours of operation without attendance with long term reliability. Used in the very harshest of environments.

PART NUMBERS

Type	Supply	Part Number
Moonraker	380v 32A 3 phase, neutral & earth	A4208
Lamp	7kw Xenon Lamp	D12963

SPECIFICATION

- Constructed from marine grade aluminium.
- Magnetic power supply unit.
- Shallow Ø63cm parabolic reflector electro-formed nickel rhodium plated.
- Forced air-cooling of the lamp utilizing high-power fans.
- Instant lamp strike and re-strike (no warm-up period)
- Stove enameled paint finish.
- Manual focus adjustment.
- Toughened front glass.
- Xenon light source. Sunlight colour temperature 6200°K IRC = 98%
- Weatherproof searchlight: IP54 protection.
- Heat resistant up to 60°C.
- Pan rotation 20° & Elevation 180°.
- Range 36,803 metres
- Lamp life 1000 hours
- Lamp wattage 7000 watts
- Luminous flux 330,000 Lm
- Luminous intensity 33,000 Cd
- Divergence 1° Spot 5.5° Flood
- Searchlight Weight 152Kg PSU weight 77Kg



For more information contact: