



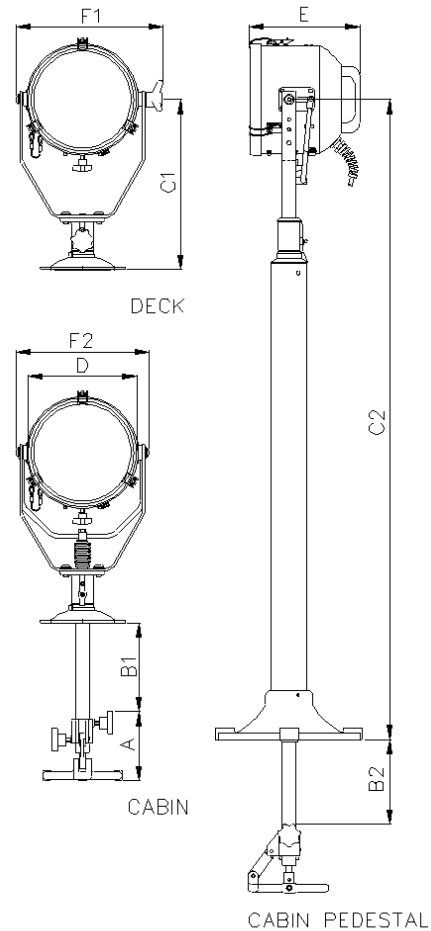
APPLICATION

The FRANCIS FR Premium range of searchlights incorporate the design features required to successfully operate searchlights in the most demanding product operating environments on land and sea.

These units are particularly suitable for use on patrol craft, custom vessels and general marine applications.

SPECIFICATION

- Toughened super clear Optiwhite front glass.
- Parabolic glass reflector
- Constructed from marine grade materials and fixings
- Powder coated and stove enamel paint finish
- Pan rotation 450°
- Deck/Deck Ped Tilt elevation control +40° to -40°.
- Cabin/Cabin Ped Tilt elevation control +30° to -40°.
- Optional Heater fitted in barrel
- Operational temp -50°
- Tungsten halogen lamp
- Light shield to prevent unwanted glare & stray light
- External lamp focus, 2° spot to 15° flood.
- Sealing – IP66 Searchlight
- Searchlight weight Deck 12.8kgs, Deck Ped 16.40Kg, Cabin 14.60Kgs, Cabin Ped 18.60Kgs
- Special B1/2 & C2 dimensions available on request



ALL DIMENSIONS IN MILLIMETRES

Base fixing details:
Deck & Cabin 3 holes Ø11.0 equi-spaced on a 154 PCD
Deck Ped & Cabin Ped 4 holes Ø14.5 equi-spaced on a 270 PCD,
Cabin & Cabin Ped Central Hole Ø40

Part Numbers

| Type | Supply | Part No |
|-------------------|----------|---------|
| FR280D Deck | 12/24v | A2812 |
| FR280C Cabin | 12/24v | A2814 |
| FR280DP Deck Ped | 12/24v | A2811 |
| FR280CP Cabin Ped | 12/24v | A2813 |
| FR280D Deck | 110/240v | A2898 |
| FR280C Cabin | 110/240v | A2905 |
| FR280DP Deck Ped | 110/240v | A2907 |
| FR280CP Cabin Ped | 110/240v | A2906 |

Dimensions

| A | B1 | B2 | C1 | C2 | D | E | F1 | F2 |
|-----|-----|-----|-----|------|-----|-----|-----|-----|
| 150 | 185 | 180 | 385 | 1378 | 280 | 244 | 362 | 337 |

| VAC | Lamp life | Range @ 1 Lux | PBCP X 1000 | Div | Watts | Lamp No |
|------|-----------|---------------|-------------|------|-------|---------|
| 12v | 2000 hrs | 933m | 871 | 3° | 100w | D9848 |
| 24v | 300 hrs | 960m | 921 | 3° | 150w | D14795 |
| 24v | 2000 hrs | 1114m | 1242 | 3° | 250w | D4695 |
| 24v | 300 hrs | 1342m | 1800 | 3° | 250w | D9851 |
| 120v | 150 hrs | 1150m | 1323 | 4.7° | 300w | D16883 |
| 230v | 75 hrs | 1118m | 1250 | 4.7° | 300w | D16841 |

For more information contact: