



APPLICATION

The new Francis LED searchlight range continues to develop and offers an Efficiently and Environmentally Friendly alternative to traditional lamp sources. Using the highest grade of CREE LED, this range offers a high power output with low power consumption. In addition, the CREE XLamp Series offer a lamp life of 33,000 hours

Francis Searchlights have developed and improved all remote controlled searchlights across the range still further by adding full variable speed, a new modern and sleek joystick control panel, using membrane and LED technology, offering Bus Control, auto home position setting, all at no extra cost, with Optional Controls available on request.

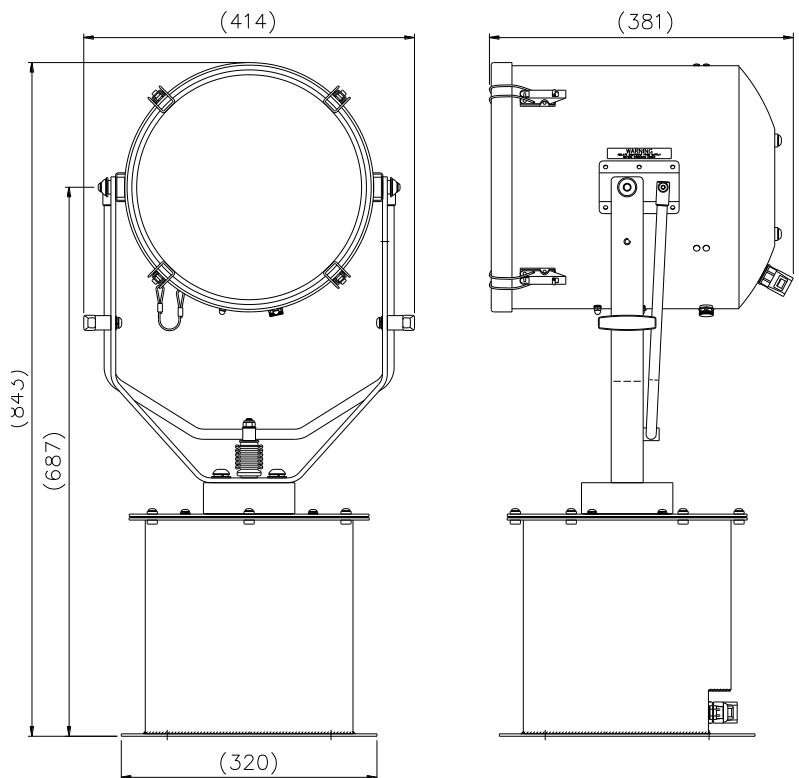
The Francis bus (FBUS) is a custom communication protocol based on RS485 two-wire bi directional communication hardware. The system provides a simple bi directional link between searchlights and control panels.

As with all Francis products, the construction is robust and of the highest quality of construction. Utilizing excellent thermal management of the LED chip ensures successful performance and chip life.

The 110w LED gives illumination characteristics similar to that of a 1000w halogen lamp. This model offers a remote focus adjustment of the beam from 7° spot to 20° flood.

SPECIFICATION

- 33,000 lamp life hours.
- Toughened super clear Optiwhite front glass.
- Parabolic glass reflector
- Constructed from marine grade materials and fixings.
- Powder coated and stove enamel paint finish.
- Pan rotation 365°.
- Tilt elevation control +35°, -40°.
- Variable speed LED joystick, with auto home position.
- RS485 connectivity. Dimmable Control Panel.
- Variable Rotation Speed 1 to 19°/sec (Pan).
- Variable Elevation Speed 1 to 6°/sec (Tilt).
- Heater fitted in gearbox & barrel.
- Operational temp -50°.
- Up to 13,900 Lumens.
- Colour Temp options 6500k.
- High quality control gear 50/60 Hz 1ph.
- Sealing - IP66 Gearbox, IP66 Searchlight, PSU IP66.
- Searchlight weight 28kgs, PSU weight 2.5kgs.
- Remote Focus fitted as standard.



ALL DIMENSIONS IN MILLIMETRES

Base fixing details:
4 holes 12.5 Ø equi-spaced on a 290mm PCD
Joystick panel 120 x 120mm (106 x 106mm cutout)

PSU dimensions: 254 x 180 x 90mm

Part Numbers			
Type	Supply	Watts	Part No
L300RC	115/230v	110w	A7123

Optional Controls:

- Program Record Function
- Computer Control Software
- Azimuth LED Control Panel
- Master Control Panel (control up to 10 Searchlights)
- Slave Control Panels (with full control)
- Fiber Optic/TCP/IP Connections

VAC	LED life	Range @ 1 Lux	Luminous Flux	Div	Watts
115/230v	33,000 hrs	1129m @ 7°Div	13,900	7-20°	110w

Francis Searchlights Limited
Union Road, Bolton, BL2 2HJ, UK

Tel 44 (0) 1204 558960 Fax 44 (0) 1204 558979. Email sales@francis.co.uk. Web site www.francis.co.uk