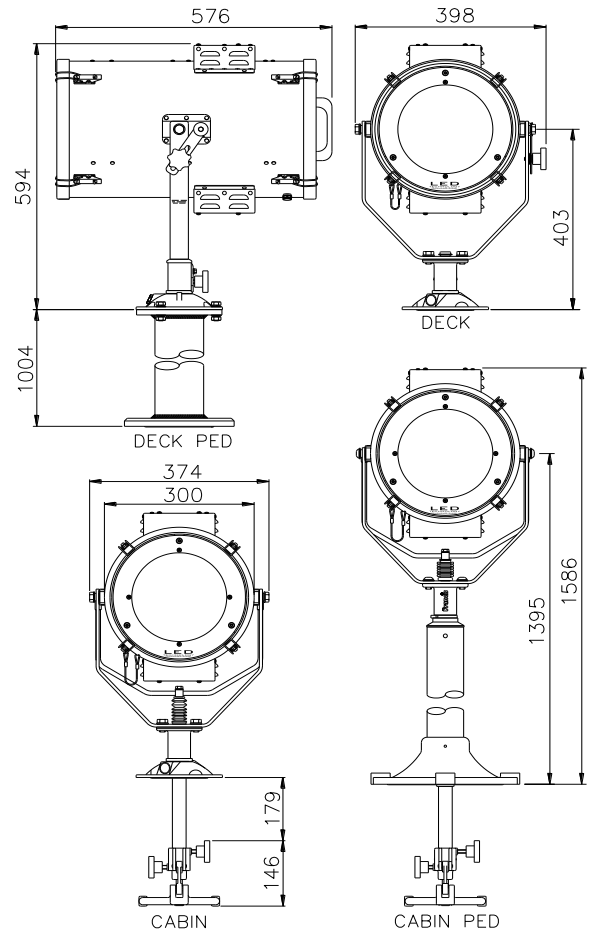




L300 Issue 1
LED 234w Remote
Focus Manual
Control



APPLICATION

The new Francis Remote Focus LED searchlight range has been developed to offer an Efficiently and Environmentally Friendly alternative to traditional lamp sources.

Using the highest grade of the world class Osram LED, this range offers a high power output with low power consumption. Using a series of precision made glass lenses to optimize and collimate the light output, to achieve a greater range and output. The high power LED Chip has 20,000 hour life.

As with all Francis products, the construction is robust and of the highest quality. To dissipate the heat generated by the high power LED, there has been a great focus on thermal management, and these heat sinks are integrated into the barrel construction.

The 234w LED gives illumination characteristics in excess of a 300w Xenon lamp / 3kw Halogen.

SPECIFICATION

- Toughened front glass.
- 20,000 lamp life hours
- Precision made glass lenses.
- Constructed from marine grade materials and fixings.
- Powder coated and stove enamel paint finish
- Pan rotation 450°.
- Deck/Deck Ped Tilt elevation control +40° to -40°.
- Cabin/Cabin Ped Tilt elevation control +30° to -25°
- Operational temp -50°- +60°.
- Up to 22,800 Lumen.
- Colour Temp options 6000k
- Sealing – IP56 Searchlight, PSU IP66.
- Searchlight weight 17kgs, PSU weight 4kgs.
- Range of 1876m
- Remote Focus fitted as standard.
- Special Cabin & Pedestal dimensions available on request.

ALL DIMENSIONS IN MILLIMETRES

Base fixing details:

Deck & Cabin 3 holes Ø11.0 equi-spaced on a 154 PCD
Deck Ped & Cabin Ped 4 holes Ø12.5 equi-spaced on a 190 PCD,
Cabin & Cabin Ped Central Hole Ø75
PSU dimensions: 299 x 302 x 133mm

Part Numbers

Type	Supply	Watts	Part No
L300D Deck RF	115/230v	234w	A6192
L300DP Deck Ped RF	115/230v	234w	A6193
L300C Cabin RF	115/230v	234w	A6194
L300CP Cabin Ped RF	115/230v	234w	A6195
L300D Deck RF	24v	234w	A6188
L300DP Deck Ped RF	24v	234w	A6189
L300C Cabin RF	24v	234w	A6190
L300CP Cabin Ped RF	24v	234w	A6191

VAC/DC	Lamp life	Range @ 1 Lux	Luminous Flux	Div	Watts
115/230v 24v	20,000 hrs	1876m	22,800	4-10°	234w