



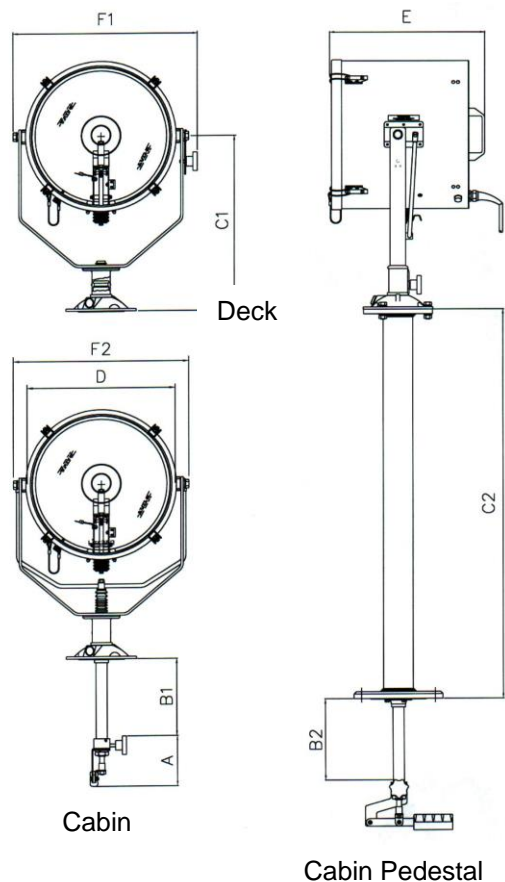
APPLICATION

The FRANCIS Lite range of searchlights incorporate the design features required to successfully operate searchlights in the most demanding product operating environments on land and sea.

The Lite range is a cost effective and well made range of searchlights with external focus adjustment. These units are particularly suitable for use on patrol craft, custom vessels and general marine applications.

SPECIFICATION

- Toughened super clear Optiwhite front glass.
- Parabolic super pure aluminum reflector
- Constructed from marine grade materials and fixings
- Powder coated and stove enamel paint finish.
- Pan rotation 450°
- Deck/Deck Ped Tilt elevation control +40° to -40°.
- Cabin/Cabin Ped Tilt elevation control +30° to -25°
- Optional Heater fitted in barrel
- Operational temp -50°
- Tungsten halogen lamp
- Light shield to prevent unwanted glare & stray light
- External lamp focus, 2° spot to 15° flood.
- Sealing – IP66 Searchlight
- Modular design allowing customer to modify configuration.
- Searchlight weight Deck 13.5kgs, Pedestal 5Kgs, Cabin control assy 2.8Kgs, Cabin Pedestal assy 3.8Kgs
- Special B1/2 & C2 dimensions available on request.



ALL DIMENSIONS IN MILLIMETRES

Base fixing details:
Deck & Cabin 3 holes Ø11.0 equi-spaced on a 154 PCD
Deck Ped & Cabin Ped 4 holes Ø12.5 equi-spaced on a 190 PCD,
Cabin & Cabin Ped Central Hole Ø75

Part Numbers

Type	Supply	Part No
L380D Deck	24v	A2591
L380D Deck	115/230v	A2587
Cabin Control Assy		C22314-01
Pedestal deck		C20719-79
Cabin Pedestal Assy		C22317-01

Dimensions

A	B1	B2	C1	C2	D	E	F1	F2
130	199	211	450	1004	380	400	473	451

VAC	Lamp life	Range @ 1 Lux	PBCP X 1000	Div	Watts	Lamp No
24v	300 hrs	1311m	1718	2°	150w	D14795
24v	2000 hrs	1390m	1932	2.5°	250w	D4695
24v	300 hrs	1673m	2800	3°	250w	D9851
115v	750 hrs	1249m	1560	6°	1000w	D1809
230v	750 hrs	1114m	1240	5°	650w	D1813
230v	750 hrs	1210m	1465	5°	1000w	D6715

For more information contact: