

**LSP380 Issue 4  
Metal Halide 575 w  
Portable light weight  
Suez Canal Searchlight**

## APPLICATION

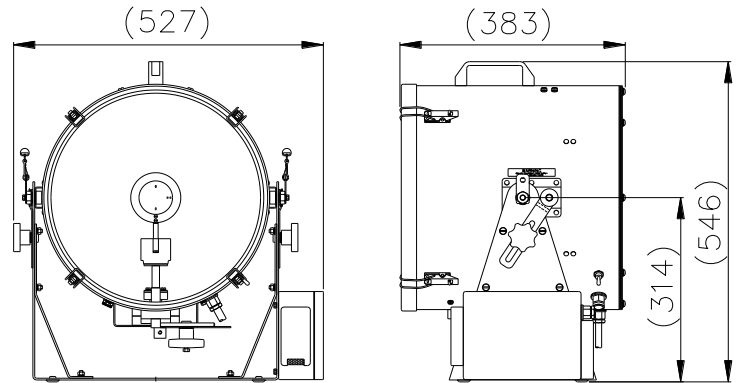
The all new metal halide Portable Suez Searchlight now available with innovative design features in order to meet the requirements of Suez Canal Authority. The fully portable searchlight exceeds traditional light outputs of significantly larger and heavier units available in the market.

The generous specification includes lamp changeover, split beam reflectors and long life metal halide lamps. The electronic PSU is the latest technology and itself is integrated into the crutch, therefore the package is truly self contained and easily portable.

The Suez searchlight is obligatory for ships passing through the canal.

## SPECIFICATION

- Toughened super clear Optiwhite front glass.
- Parabolic split glass reflector.
- Constructed from marine grade materials and fixings
- Powder coated and stove enamel paint finish.
- Tilt elevation control +5° to -35°.
- Sealing protection to IP65.
- Light weight, only 15.8 KG, including searchlight and PSU.
- New light weight electronic PSU.
- Fitted with lamp changeover system, in event of lamp failure.
- Produced with 575w metal halide lamp fitment with hot re-strike.
- New external levers allowing the beams to be split accurately.
- Split beam of two 20° sections giving a credible 40° split arc.
- Fixed focus
- Shoulder carry strap fitted as standard, offering safer and ease of transportation.
- G22 Lampholder



## ALL DIMENSIONS IN MILLIMETRES

Base fixing details:

4 holes Ø12.7 at 350 X 200mm, plus one central hole Ø16.5mm.

## Part Numbers

Type	Supply	Watts	Part No
LSP380	230v	575w	A2273
LSP380	115v	575w	A2274
575w G22 Lamp			D15764

VAC	Lamp life	Range @ 1 Lux	PBCP X 1000	Div	Watts
115/230v	1000hrs	3767m	14,190	2.1°	575w

**Francis Searchlights Limited**  
 Union Road, Bolton, BL2 2HJ, UK  
 Tel 44 (0) 1204 558960 Fax 44 (0) 1204 558979  
 Email [sales@francis.co.uk](mailto:sales@francis.co.uk) Web site [www.francis.co.uk](http://www.francis.co.uk)

**For more information contact:**