



LX480RC Issue 5  
Xenon 500W Remote  
Control, Variable Speed

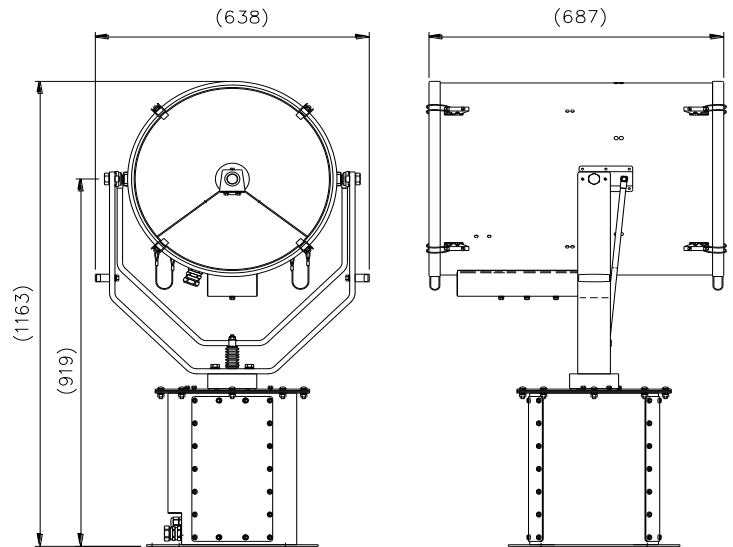


## APPLICATION

The new FRANCIS LX Premium range of variable speed Remote Controlled Searchlights incorporate the design features required to successfully operate searchlights in the most demanding product operating environments on land and sea.

Francis Searchlights have developed and improved all remote controlled searchlights across the range still further by adding full variable speed, a new modern and sleek joystick control panel, using membrane and LED technology, offering RS485 interface and an auto home position setting, all at no extra cost.

The Xenon offers a colour temperature similar to daylight, and offers exceptional illumination, especially in polar regions and long range navigation.



## SPECIFICATION

- Immediate full lamp brilliance from switch on.
- Instant re-strike. No "cooling" down time required.
- Toughened front glass.
- Parabolic glass reflector
- Constructed from marine grade materials and fixings
- Powder coated and stove enamel paint finish.
- Remote pan rotation 385° with tilt /elevation control  $\pm 40^\circ$ .
- Variable speed LED joystick, with auto home position and RS485 connectivity.
- Variable Rotation Speed 1 to 20°/sec (Pan)
- Variable Elevation Speed 1 to 10°/sec (Tilt).
- Heaters fitted barrel and gearbox operational temp  $-50^\circ$
- Remote lamp focus, 1.5° spot to 10° flood.
- High quality PSU suitable for 50/60 Hz 1ph
- Sealing - IP66 Gearbox, IP56 Searchlight, PSU IP56
- Searchlight weight 68 kgs, Power supply weight 14kgs .

## ALL DIMENSIONS IN MILLIMETRES

Base fixing details:

4 holes 12.5  $\varnothing$  equi-spaced on a 350mm PCD  
Joystick panel 120 x 120mm (106 x 106mm cutout)

PSU dimensions: 430 x 330 x 217mm

Part Numbers

Type	Supply	Watts	Part No	Lamp No
LX480RC	230v	500w	A	D20322
LX480RC	115v	500w	A	D20322

VAC	Lamp life	Range @ 1 Lux	PBCP X 1000	Div	Watts
115/230v	2000 hrs	6722m	45,200	1.5°	500w

**Francis Searchlights Limited**  
Union Road, Bolton, BL2 2HJ, UK  
Tel 44 (0) 1204 558960 Fax 44 (0) 1204 558979  
Email sales@francis.co.uk Web site www.francis.co.uk

For more information contact: