



**M9&M10 Issue 4
Tungsten Halogen
Manual Control**

APPLICATION

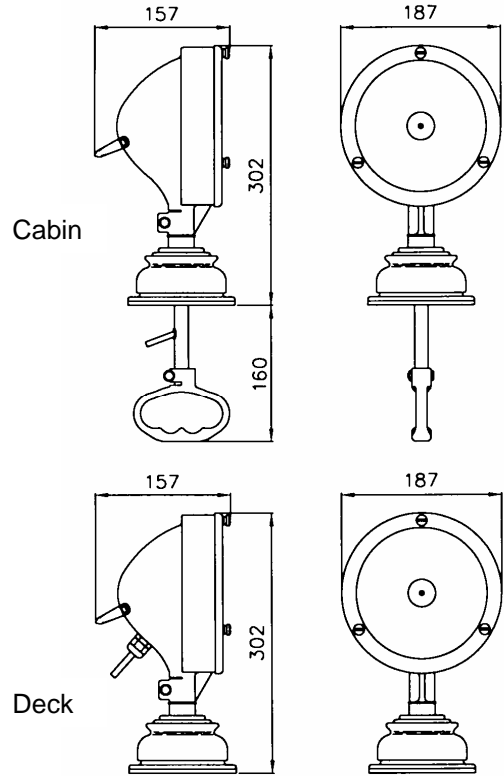
These attractive, quality built searchlights are suitable for smaller craft where good illumination characteristics, durability and appearances are important factors. These searchlights are approved by the UK Department of Transport Marine Directorate for use on ships' lifeboats according to Chapter 111 of the 1983 amendments of the S.O.L.A.S. regulations.

PART NUMBERS

Type	Finish	Part Number
M9	Silver	A2059
M9	White	A2060
M10	Silver	A2084
M10	White	A2085

The following features are incorporated in both the M9 & M10 searchlights.

- S.O.L.A.S. approved.
- Constructed from marine grade aluminium.
- Polished, electro-brightened super purity Aluminium parabolic reflector.
- Fixed focus.
- Stove enamel paint finish.
- Toughened front glass.
- Tungsten Halogen lamps.
- Vertical movement $\pm 35^\circ$.



All dimensions in Millimeters

Base fixings
3 holes $\varnothing 6.4$ on a 108 P.C.D
Under deck control clearance hole $\varnothing 45.0$

Weights

M9	M10
1.7 Kg	2.2 Kg

Performance Data * Inclusive angle

Volt's	Lamp life	Range (m)	PBCP x1000	*Div	Watts	Lamp Cap	Despatch Number
12v	3000 hrs	405	164	3.4	50	G6.35	D4051
12v	50 hrs	576	332	3.0	50	G6.35	D9849
12v	50 hrs	640	409	4.0	100	G6.35	D3018
12v	2000 hrs	492	242	4.6	100	G6.35	D9848
24v	2000 hrs	438	191	4.7	100	G6.35	D9850

For more information contact:

Francis Searchlights Limited
 Union Road, Bolton, BL2 2HJ, UK
 Tel 44 (0) 1204 558960 Fax 44 (0) 1204 558979
 Email sales@francis.co.uk Web site www.francis.co.uk