



APPLICATION

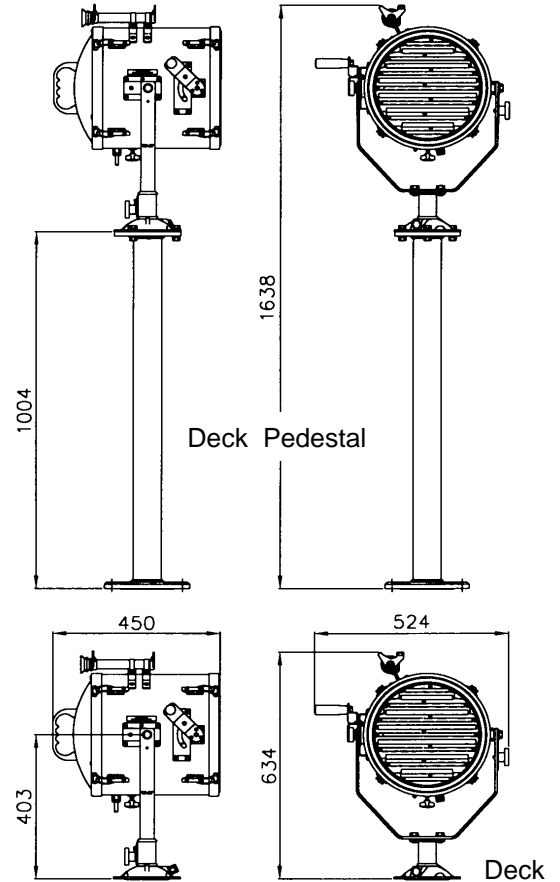
The FRANCIS FSP300 Signalling range of searchlights is available as either a deck or deck pedestal mounting option and is suited to vessels that require a permanently installed day/ night visual signalling searchlight.

The high quality equipment will perform in the most demanding product operating environments on land and sea.

Standard features include adjustable focus mechanism and combined tubular and V sights. The well designed shutter mechanism can be locked in the 'open' position, allowing the unit to be used as a searchlight.

SPECIFICATION

- Toughened super clear Optiwhite front glass.
- High quality shutter mechanism for morse code
- Signaling range minimum of 10 miles / 16 km (daylight)
- Signalling speed of 12 words per minute
- Parabolic glass reflector
- Constructed from marine grade materials and fixings.
- Powder coated and stove enamel paint finish.
- Tungsten halogen lamp
- Removable front and rear bezels
- Full 450° rotation
- Vertical tilt movement +45° to -45°.
- Operational temp -50°
- External lamp focus 2° spot to 15° flood.
- Searchlight weight Deck 19.3kgs, Deck Pedestal 23.9Kg
- Supply cable fitted 3m



ALL DIMENSIONS IN MILLIMETRES

Base fixing details:

Deck 3 holes Ø11.0 equi-spaced on a 154 PCD

Deck Pedestal 4 holes Ø12.5 equi-spaced on a 190 PCD,

Part Numbers

Type	Supply	Part No
FSP300D	12/24v	A4184
FSP300DP	12/24v	A4186
FSP300D	115/230v	A4185
FSP300DP	111/230v	A4187
FSP300D 300w	115/230v	A4188
FSP300DP 300w	115/230v	A4189
Waterproof Cover		C10233-00
Blue Filter Assy		C23428-00
Green Filter Assy		C23429-00
Red Filter Assy		C21867-00

VAC	Lamp life	Range @ 1 Lux	PBCP X 1000	Div	Watts	Lamp No
12v	2000 hrs	1019m	1038	2°	100w	D9848
24v	300 hrs	1106m	1224	2°	150w	D14795
24v	2000 hrs	1298m	1685	3°	250w	D4695
24v	300 hrs	1563m	2442	3°	250w	D9851
230v	75 hrs	580m	337	3°	300w	D16841
230v	750 hrs	950m	902	5°	650w	D1813
115v	150 hrs	579m	356	3°	300w	D16883
115v	750 hrs	1049m	1100	5°	1000w	D1809
230v	750 hrs	1017m	1034	5°	1000w	D6715

Francis Searchlights Limited
 Union Road, Bolton, BL2 2HJ, UK
 Tel 44 (0) 1204 558960 Fax 44 (0) 1204 558979
 Email sales@francis.co.uk Web site www.francis.co.uk

For more information contact: