



**APPLICATION**

The FRANCIS FH range of searchlights incorporate the design features required to successfully operate searchlights in the most demanding product operating environments on land and sea.

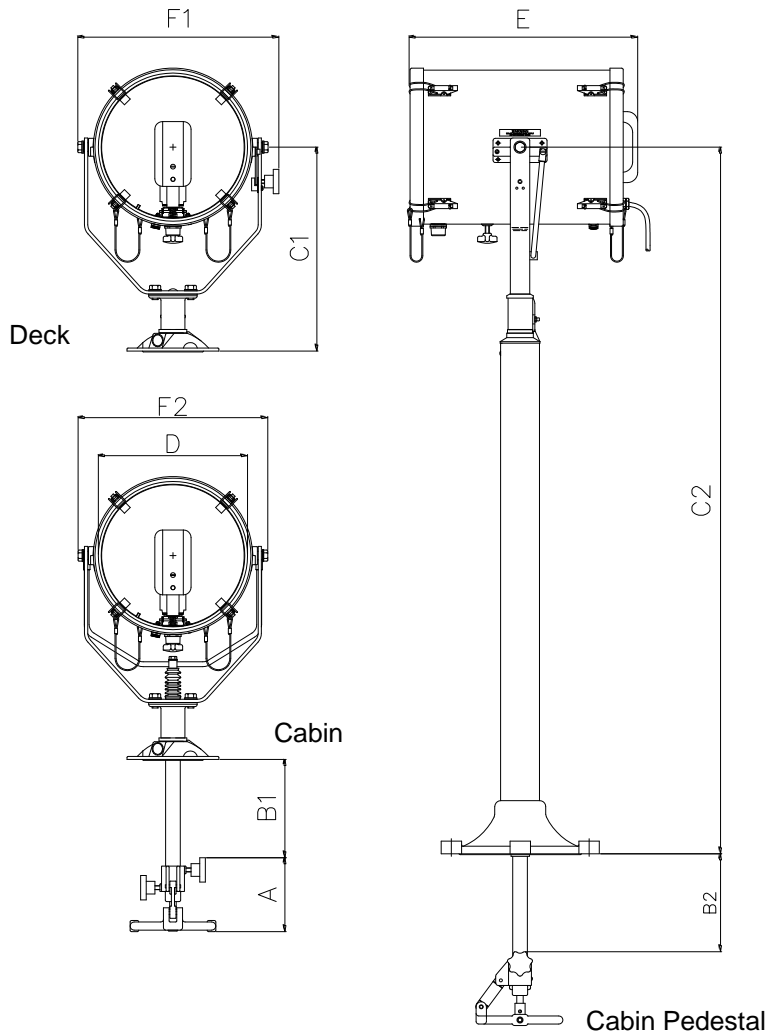
These units are particularly suitable for use on patrol Craft, custom vessels and is used extensively in security applications, including border control, prisons & watch towers.

The metal halide offers a colour temperature of 6000k similar to daylight, and offers exceptional illumination, especially in polar regions and long range navigation.

**SPECIFICATION**

- Instant re-strike. No "cooling" down time required.
- Toughened super clear Optiwhite front glass.
- Parabolic glass reflector
- Constructed from marine grade materials and fixings
- Powder coated and stove enamel paint finish.
- Pan rotation 450°
- Tilt elevation control +35°, -25°.
- Optional Heater fitted in barrel
- Operational temp -50°
- External lamp focus, 2.5° spot to 15° flood.
- High quality control gear 50/60 Hz 1ph
- Sealing - IP56 Searchlight, PSU IP66
- Searchlight weight Deck 17kgs, Deck Ped 21Kg, Cabin 19Kgs, Cabin Ped 23Kgs
- PSU weight 10kgs.
- Special B1/2 & C2 dimensions available on request
- Luminous flux 49,000
- Colour Temperature 6,000K.

VAC	Lamp life	Range @ 1 Lux	PBCP X 1000	Div	Watts
230v	1000hrs	3685m	13,600	2.5°	575w



**ALL DIMENSIONS IN MILLIMETRES**

Base fixing details:  
Deck & Cabin 3 holes Ø11.0 equi-spaced on a 154 PCD  
Deck Ped & Cabin Ped 4 holes Ø14.5 equi-spaced on a 270 PCD,  
Cabin & Cabin Ped Central Hole Ø40

PSU dimensions: 280 x 190 x 182mm

**Part Numbers**

Type	Part No
FH300D Deck	A2876
FH300C Cabin	A2877
FH300DP Deck Ped	A2878
FH300CP Cabin Ped	A2879
575w G22 Lamp	D15764

**Dimensions**

A	B1	B2	C1	C2	D	E	F1	F2
146	195	188	403	1395	300	448	395	374

**For more information contact:**