



APPLICATION

The FRANCIS FX range of XENON searchlights is a Premium product, and incorporate the design features required to successfully operate searchlights in the most demanding product operating environments on land and sea.

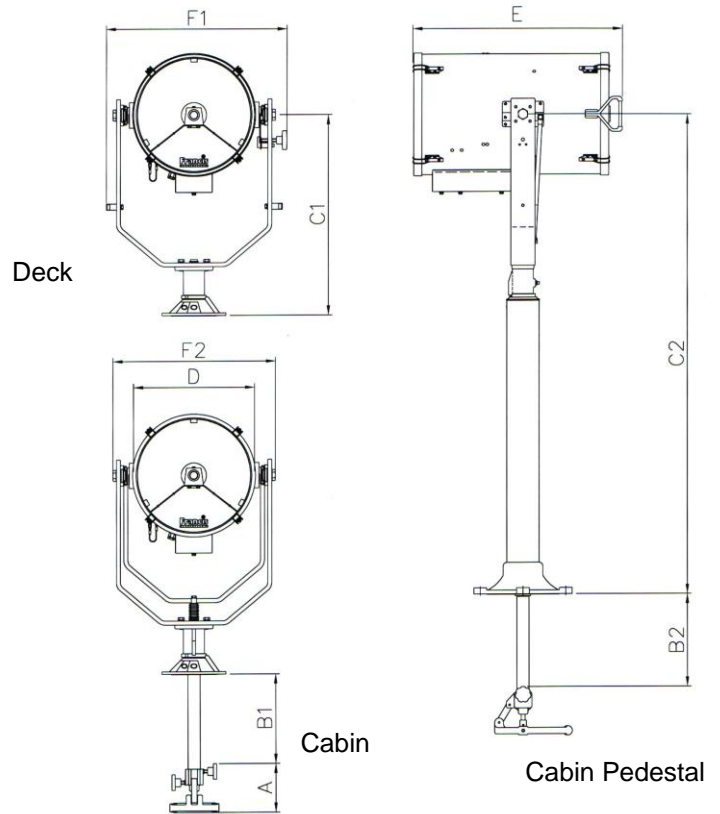
The colour temperature of the Xenon lamp being equal to that of 'sunlight', make this the searchlight ideal for polar regions.

These high power searchlights are well suited to applications where long range and excellent light output are required. For marine applications assisting collision avoidance and man over board situations, and crucially saving lives.

The Francis Xenon searchlight is strong and very well manufactured, and hence is used extensively in security applications, including border control, prisons & watch towers.

SPECIFICATION

- Immediate full lamp brilliance from switch on.
- Toughened super clear Optiwhite front glass.
- Parabolic glass reflector
- Constructed from marine grade materials and fixings
- Powder coated and stove enamel paint finish.
- Pan rotation 450°
- Deck/Deck Ped Tilt elevation control +45° to -45°.
- Cabin/Cabin Ped Tilt elevation control +20° to -40°
- Heater fitted in barrel
- Operational temp -50°
- High power xenon lamp with 3000 hrs lamp life
- External lamp focus, 1.5° spot to 10° flood.
- Remote Focus optional
- Sealing – IP56 Searchlight, PSU IP56
- Searchlight weight Deck 45kgs, Deck Pedestal 56kgs, Cabin 50.5Kgs, Cabin Pedestal 64.5Kgs. PSU 14kgs.
- Special B & C dimensions available on request.
- High quality Electronic PSU suitable for 50/60 Hz 1ph



ALL DIMENSIONS IN MILLIMETRES

Base fixing details:

Deck & Cabin 3 holes Ø11.0 equi-spaced on a 174 PCD
Deck Ped & Cabin Ped 4 holes Ø12.5 equi-spaced on a 270 PCD, Centre hole Ø52.

PSU dimensions: 430 x 330 x 217mm

Part Numbers

Type	Supply	Part No
FX380 Deck	115v	A2770
FX380 Deck Ped	115v	A2772
FX380 Cabin	115v	A2774
FX380 Cabin Ped	115v	A2776
FX380 Deck	230v	A2771
FX380 Deck Ped	230v	A2773
FX380 Cabin	230v	A2775
FX380 Cabin Ped	230v	A2777
1000w Xenon Lamp		D21229

Dimensions

A	B1	B2	C1	C2	D	E	F1	F2
154	283	291	632	1513	380	661	569	516

VAC	Lamp life	Range @ 1 Lux	PBCP X 1000	Div	Watts
115/230v	3000hrs	6700m	45,000	1.5°	1000w

For more information contact: