



## APPLICATION

The new Francis Bus Explorer range of variable speed Remote Controlled Searchlights incorporate the design features required to successfully operate searchlights in the most demanding product operating environments on land and sea.

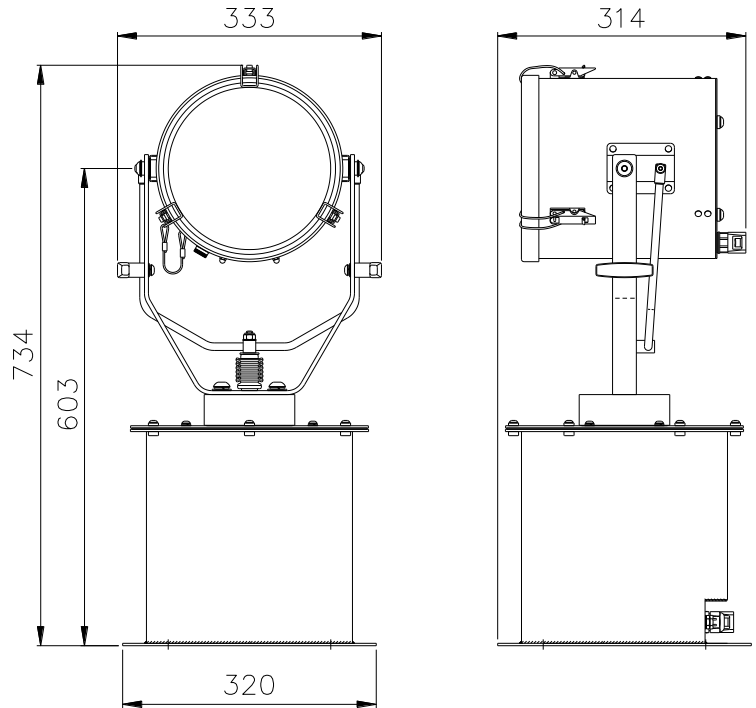
Francis Searchlights have developed and improved all remote controlled searchlights across the range still further by adding full variable speed, a new modern and sleek joystick control panel, using membrane and LED technology, offering Bus Control.

The Francis bus (FBUS) is a custom communication protocol based on RS485 two-wire bi directional communication hardware. The system provides a simple bi directional link between searchlights and control panels.

The L230RC is a cost effective and well made range of searchlights with external focus adjustment. These units are particularly suitable for use on patrol craft, custom vessels and general marine applications.

## SPECIFICATION

- Tungsten Halogen light source.
- Toughened super clear Optiwhite front glass.
- Parabolic formed aluminum reflector.
- Constructed from marine grade materials and fixings.
- Spill rings to prevent unwanted glare and stray light
- Powder coated and stove enamel paint finish.
- Pan rotation 365°.
- Tilt elevation control +35°, -40°.
- Variable speed LED joystick, with auto home position.
- RS485 connectivity. Dimmable Control Panel.
- Variable Rotation Speed 1 to 19°/sec (Pan).
- Variable Elevation Speed 1 to 6°/sec (Tilt).
- Heater fitted in gearbox & optional in barrel.
- Operational temp -50°.
- Remote focus available as an option.
- Sealing - IP67 Gearbox, IP67 Searchlight.
- Searchlight weight 22kgs.



## ALL DIMENSIONS IN MILLIMETRES

Base fixing details:

4 holes 12.5 Ø equi-spaced on a 290mm PCD  
Joystick panel 120 x 120mm (106 x 106mm cutout)

## Part Numbers

Type	Supply	Watts	Part No
L230RC	230v	300w	A7114
L230RC RF	230v	300w	A7105
L230RC	115v	300w	A7102
L230RC RF	115v	300w	A7103
L230RC	24v	150-250w	A7100
L230RC RF	24v	150-250w	A7101

## Optional Controls:

Program Record Function  
Computer Control Software  
Azimuth LED Control Panel  
Master Control Panel (control up to 10 Searchlights)  
Slave Control Panels (with full control)  
Fiber Optic/TCP/IP Connections

Volts	Lamp Life	Range @ 1 Lux	PBCP X 1000	Div	Watts	Lamp Part No
24v	300 hrs	784m	614	2.8°	150w	D14795
24v	2000 hrs	910m	828	2.3°	250w	D4695
24v	300 hrs	1095m	1200	3.8°	250w	D9851
115v	75 hrs	912m	832	4.8°	300w	D16883
230v	2000 hrs	722m	521	5.4°	300w	D23795

For more information contact:

Francis Searchlights Limited  
Union Road, Bolton, BL2 2HJ, UK  
Tel 44 (0) 1204 558960 Fax 44 (0) 1204 558979  
Email [sales@francis.co.uk](mailto:sales@francis.co.uk) Web site [www.francis.co.uk](http://www.francis.co.uk)