



APPLICATION

The new Francis Bus range of variable speed Remote Controlled Searchlights incorporate the design features required to successfully operate searchlights in the most demanding product operating environments on land and sea.

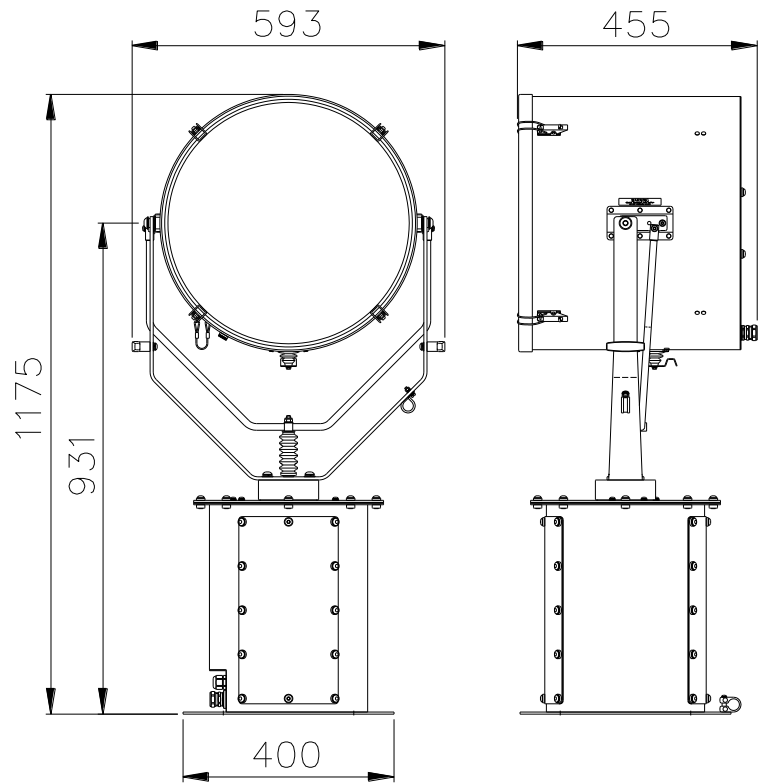
Francis Searchlights have developed and improved all remote controlled searchlights across the range still further by adding full variable speed, a new modern and sleek joystick control panel, using membrane and LED technology, offering Bus Control.

The Francis bus (FBUS) is a custom communication protocol based on RS485 two-wire bi directional communication hardware. The system provides a simple bi directional link between searchlights and control panels.

The L480 range is a cost effective and well made range of searchlights with external focus adjustment. These units are particularly suitable for use on large craft, custom vessels and general marine applications.

SPECIFICATION

- Tungsten Halogen Light source
- Toughened super clear Optiwhite front glass.
- Parabolic formed aluminum reflector
- Constructed from marine grade materials and fixings
- Powder coated and stove enamel paint finish.
- Pan rotation 385°
- Tilt elevation control +30°, -35°.
- Variable speed LED joystick, with auto home position.
- RS485 connectivity. Dimmable Control Panel.
- Variable Rotation Speed 1 to 23°/sec (Pan)
- Variable Elevation Speed 1 to 8°/sec (Tilt).
- Heater fitted in gearbox & optional in barrel
- Operational temp -50°
- Remote lamp focus available as an option.
- Sealing - IP67 Gearbox, IP67 Searchlight
- Searchlight weight 43kgs,



ALL DIMENSIONS IN MILLIMETRES

Base fixing details:

4 holes 12.5 Ø equi-spaced on a 350mm PCD

Joystick panel 120 x 120mm (106 x 106mm cutout)

Part Numbers

Type	Supply	Watts	Part No
L480RC	115/230v	1Kw	A7116
L480RC RF	115/230v	1Kw	A7117
L480RC	115/230v	2Kw	A7118
L480RC RF	115/230v	2Kw	A7119

Volts	Lamp Life	Range @ 1 Lux	PBCP X 1000	Div	Watts	Lamp Part No
115v	750 hrs	1440m	2073	4.5°	1000w	D1809
230v	750hrs	1441m	2078	4.5°	1000w	D6715
115v	400 hrs	1533m	2351	6.5°	2000w	D20390
230v	400 hrs	1643m	2701	6.5°	2000w	D20236

For more information contact:

Francis Searchlights Limited
 Union Road, Bolton, BL2 2HJ, UK
 Tel 44 (0) 1204 558960 Fax 44 (0) 1204 558979
 Email sales@francis.co.uk Web site www.francis.co.uk