



APPLICATION

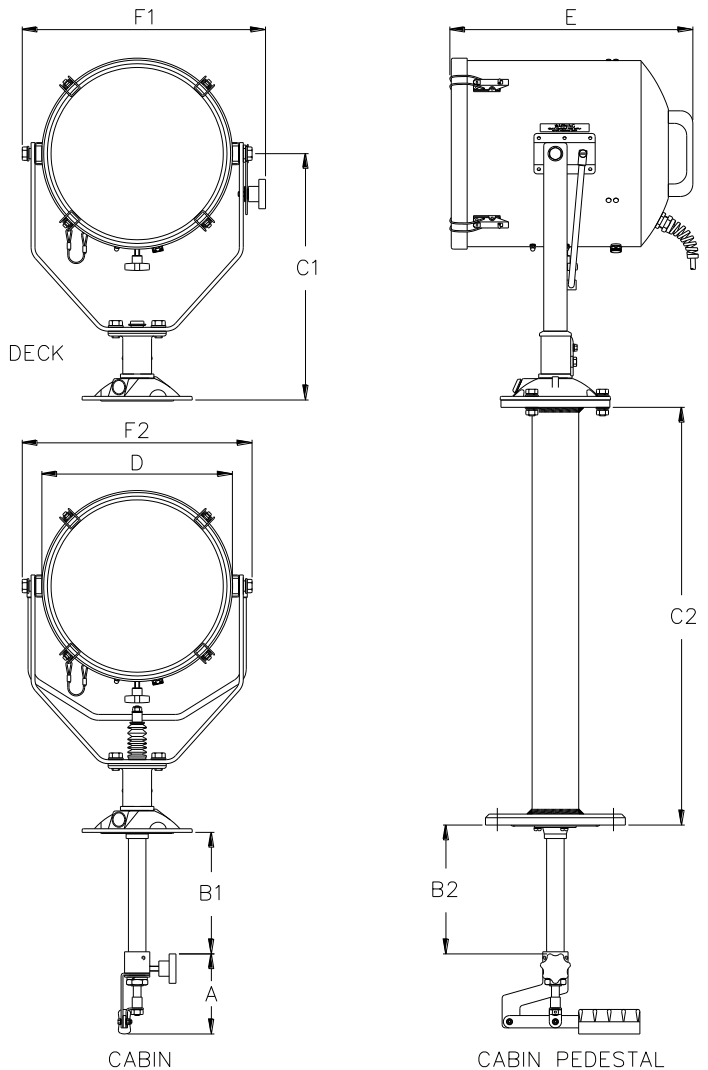
The new Francis LED searchlight range continues to develop and offers an Efficiently and Environmentally Friendly alternative to traditional lamp sources. Using the highest grade of CREE LED, this range offers a high power output with low power consumption. In addition, the CREE XLamp Series offer a lamp life of 33,000 hours.

As with all Francis products, the construction is robust and of the highest quality of construction. Utilizing excellent thermal management of the LED chip ensures successful performance and chip life.

The 110w LED gives illumination characteristics similar to that of a 1000w halogen lamp. This model offers a focus adjustment of the beam from 7° spot to 20° flood.

SPECIFICATION

- Toughened front glass.
- 33,000 hours LED life
- Parabolic glass reflector.
- Constructed from marine grade materials and fixings.
- Optional Heater fitted in barrel
- Powder coated and stove enamel paint finish
- Pan rotation 450°.
- Deck/Deck Ped Tilt elevation control +40° to -40°.
- Cabin/Cabin Ped Tilt elevation control +30° to -25°
- External lamp focus, 7° spot to 20° flood.
- Range of 1129m is based on 7° divergence
- Operational temp -50°.
- Up to 13,900 Lumens.
- Colour Temp options 6500k
- Sealing – IP66 Searchlight, PSU IP66.
- Modular design allowing customer to modify configuration.
- Searchlight weight Deck 12kgs, PSU weight 2.5kgs. Pedestal 4.6Kgs, Cabin control Assy 2.3Kgs, Cabin Pedestal Assy 3.3Kgs
- Special Cabin & Pedestal dimensions available on request.



ALL DIMENSIONS IN MILLIMETRES

Base fixing details:

Deck & Cabin 3 holes Ø11.0 equi-spaced on a 154 PCD
Deck Ped & Cabin Ped 4 holes Ø12.5 equi-spaced on a 190 PCD,
Cabin & Cabin Ped Central Hole Ø75

PSU dimensions: 254 x 180 x 90mm

Part Numbers

Type	Supply	Watts	Part No
L300D Deck	115/230v	110w	A6172
Cabin Control Assy			C27683-01
Pedestal deck			C20719-39
Cabin Pedestal Assy			C27684-01

VAC	LED life	Range @ 1 Lux	Luminous Flux	Div	Watts
115/230v	33,000 hrs	1129m @7° Div	13,900	7-20°	110w